

10 Year Guarantee

Thank you for purchasing one of our quality products. It carries a **10 Year Guarantee** against rust causing failure on the galvanized steel frame. It also includes a **1 Year Guarantee** on pads and mats. All other components parts are **Guarantee for 1 Year**.

TP guarantee to you the original retail purchaser that your new activity toy will be free from defect in the material and workmanship for one year from the date of purchase.

In the unlikely event of a defect appearing within one year, TP will repair or replace your toy free of charge.

This Guarantee does not apply to any part if damage has been caused by abuse, vandalism, misuse, accident or non-maintenance.

To be covered by the **10 Year Guarantee** it is essential that you complete and return one **Guarantee Registration**, listing all products purchased.

As an additional bonus if you register online, you will then automatically be entered into the **Quarterly Prize Draw**.

This helps us to monitor and maintain our performance as market leaders in the design and manufacture of outdoor play and associated products. It also helps us to communicate quickly with you should the need arise and keep you up to date with the developments in our range.

"This guarantee does not affect your legal rights."

Claim Procedure

Should a claim be necessary please write to our Customer Services Department, TP Activity Toys.,
Stourport-on-Severn, Worcestershire, DY13 9EX, England.

We would require the following information and we recommend that you complete some of these details now:

Your name, address and daytime/evening telephone number.

Product Name.

Guarantee Number.

Date of Purchase.

Where Purchased.

Original Till Receipt.

Identification of the Affected Part(s) - Photographs preferable.

Please do not send products or parts at this stage as this may not be necessary.

This Guarantee Number is:

Designed in the UK by **TP Activity Toys** (Tube Plastics Ltd), Severn Road, Stourport on Severn, Worcestershire, DY13 9EX, England.
Made in China.

Customer Service:
Email: customerservices@tp toys.com
Website: www.tptoys.com

Spare Parts +44 (0) 1299 872803
Technical Helpline +44 (0) 1299 872804



Instruction Part No: IN2045/10/08



Register your new product on-line now at www.tptoys.com/productregistration

- For a chance to win £200 of TP products in our next quarterly on-line product registration draw.
- Immediate access to TP products updates and offers.

Full terms and conditions overleaf

This Guarantee Number is:



Freedom to play

TP56/TP83 10ft Trampoline

INSTRUCTIONS FOR ASSEMBLY MAINTENANCE AND USE



Warning!

Important!

Max 100kg

6 yrs+

Not Suitable for **Adult Use**



Warning!

Important!

These instructions must be followed for safe assembly and use. Please retain for future reference.

Important!

Vous devez suivre ces instructions pour que le montage et l'utilisation se fassent en toute sécurité. Veuillez conserver pour référence ultérieure.

Importante!

Per garantire sicurezza di montaggio ed uso, seguire queste istruzioni e conservarle per futuro riferimento.

Importante!

Debe seguirse estas instrucciones para un armado y uso seguros. Sírvase conservarlas para consultarlas en el futuro.

Wichtig!

Diese Anweisung ist für sicheren Aufbau und Gebrauch zu befolgen. Für künftigen Gebrauch aufbewahren.

Importante!

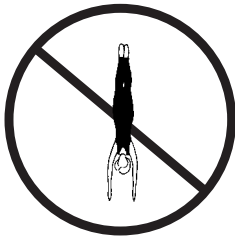
Para assegurar uma montagem e uma utilização seguras, têm de ser seguidas estas instruções. Guardar para referência futura.



GB

IMPORTANT, BEFORE YOU BEGIN, READ THIS MANUAL

Thank you for buying this Trampoline. The trampoline is designed and manufactured to provide you and your family with many years of fun and exercise but, **for your benefit and safety, please read this manual carefully and in full before assembling and using your trampoline.** Then, please retain this manual for future reference.



! WARNING !

Do not land on head or neck. Paralysis or death can result even if you land in the middle of the trampoline mat (bed).

To reduce the chance of landing on your head or neck, do not do somersaults (flips).



Only one person at a time on the trampoline. Multiple jumpers increase the chances of loss of control, collision, and falling off.

This can result in broken head, neck, back, or leg.

! REMEMBER !

Trampolines are **rebounding** devices which **propel** the user to **unaccustomed** heights, and into a variety of body movements. Rebounding off of the trampoline, striking the frame or springs, or improperly landing on the trampoline mat (bed) may cause injury.

Misuse and abuse of this trampoline is dangerous and can cause serious injuries.

Inspect the trampoline before each use, and replace any worn, defective or missing parts.

All purchasers and all persons using the trampoline must become **familiar** with the manufacturer's recommendations for the proper assembly, use and care of the trampoline. Each user must also be alert to his or her own limitations in the execution of trampoline skills. **Assembly instructions, selected precautions, recommended instructional techniques and progressions, and suggestions for the care and maintenance of the trampoline are included in this user's manual to promote safe, enjoyable use of this equipment. Please read these in full.**

It is the **responsibility** of the owner or trampoline supervisor to **ensure** that all users of this trampoline are adequately informed of all warnings and safety instructions. **Remember using this trampoline exposes you to the risk of serious injury, including permanent paralysis or even death from landing on the neck or head. The risk exists even if you land on the trampoline mat.**

INSTRUCTIONS FOR ASSEMBLY, MAINTENANCE AND USE OF TRAMPOLINES.

YOUR NEW TRAMPOLINE

ASSEMBLY INFORMATION

Trampolines must be assembled by an adult. They must be erected exactly in accordance with the assembly instructions, which follow. Enlisting the aid of a helper will make assembly easier. This trampoline does not require any tools to assemble. This pack may contain small parts and is not suitable for children under 36 months until fully assembled. Please take an inventory of all parts before assembly and ensure that all parts listed are included. Also please take care during assembly as the manufacturing process can sometimes result in the occasional sharp edge and small pieces of waste metalwork. The use of gloves to protect your hands from pinch points during assembly is also recommended. Should there be any missing parts, the toy must not be used until replacement parts have been fitted. Spares: +44 (0)1299 872804

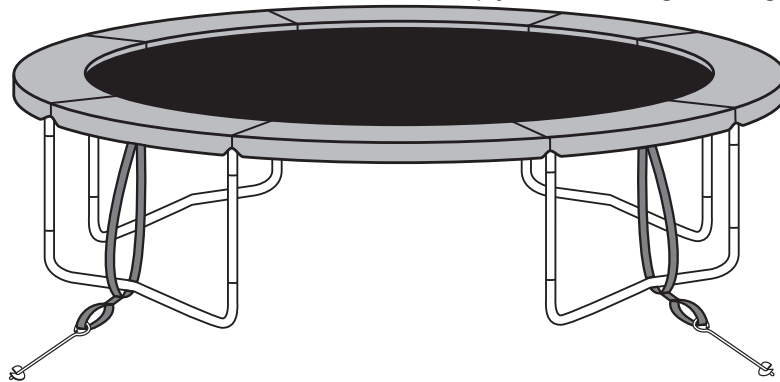
SITING

The trampoline must always be used in a well lit area. Under no circumstances should it be positioned on a hard surface such as concrete or asphalt, unless the ground under the trampoline plus the recommended freespace area is covered with a safety surface (please refer to diagram on page 37). Examples of suitable surfaces are grass, sand or a play surface intended for this use. The trampoline must be placed on a level surface. A minimum of 24ft of overhead clearance is required for this product. Adequate horizontal clearance must be maintained from objects and possible hazards including electric power wiring, tree limbs and fencing.

HIGH WINDS

It is possible for the trampoline to be blown about by high wind. If you anticipate high winds, the trampoline should be moved to a sheltered location, or be disassembled, or the round outside portion (top frame) should be tied to the ground using rope and stakes. At least three tie-downs should be used. Do not simply secure the legs to the ground, as they can pull out of the frame sockets.

Four point tie-down using rope and stakes.



GENERAL SAFETY GUIDELINES

USAGE

This trampoline is designed and made for family outdoor domestic use only. The trampoline is intended to be used by one child at a time, weighing less than 100kg. The trampoline is not intended for use outside of these guidelines. The user should be either barefoot, in socks, or wearing gymnastic shoes. Misuse can result in injury. Inspect the trampoline before use and always replace worn, defective or missing parts. The pads should always be fitted.

SUPERVISION

Children should always be supervised while they are playing on trampolines and should be instructed not to use the trampoline in an inappropriate or hazardous manner. We recommend that they do not wear loose-fitting clothing or jewellery than may catch or snag during play. Ensure that younger children do not walk or crawl underneath the trampoline and keep the area around and underneath free from all solid objects at all times.

WEATHER CONDITIONS

Special care should be taken as weather conditions change. In particular, a wet trampoline mat (bed) is too slippery for safe jumping. Gusty or severe winds can cause jumpers to lose control. To reduce the chance of injury, use the trampoline only under appropriate weather conditions. In cold weather, tongues and lips can stick to metalwork at subzero temperatures. In warmer and sunnier weather, parts can become hot, and the temperature should be regularly checked during play, especially metal parts.

WATER PLAY

Many surfaces can become slippery during water play. Extra caution and supervision is required when combining water (e.g. paddling pools, aqua slides etc.) with other forms of outdoor play.

USING YOUR TRAMPOLINE - IMPORTANT SAFETY INFORMATION

BEFORE YOU BEGIN, REMEMBER

1. Trampolines are **rebounding** devices which **propel** the user to **unaccustomed** heights, and into a variety of body movements. Rebounding off the trampoline, striking the frame or springs, or improperly landing on the trampoline may cause injury.
2. All purchasers and all persons using the trampoline must become **familiar** with the manufacturers recommendations for the proper assembly, use and care of the trampoline. Each user must also be alert to his/her own limitations in the execution of trampoline skills. Assembly instructions, selected precautions and suggestions for the care and maintenance of the trampoline are included in this user's manual to promote safe, enjoyable use of this equipment.
3. It is the **responsibility** of the owner to ensure that all users of this trampoline are adequately informed of all warnings and safety instructions.
4. **Never allow more than one (1) person on the trampoline at a time.** Multiple jumpers increases the chance of someone becoming injured. Jumpers may collide with one another, fall off the trampoline, fall on or through the springs, or land incorrectly on the mat.
5. Injury may result from hitting the frame or falling through the springs while jumping or getting on or off the trampoline. Stay in the centre of the trampoline mat when jumping. **BE SURE TO KEEP THE FRAME PAD IN PLACE TO COVER THE FRAME AT ALL TIMES.** The frame pad is not designed nor intended to support the weight of the trampoline user. Do not step or jump directly onto the frame pad.
6. **Always** secure the trampoline against unauthorized and unsupervised use.
7. Trampolines over 20 in. (51 cm) tall are not recommended for use by children under 6 years of age. While keeping the head erect, focus eyes on the trampoline toward the perimeter. This will help control bounce. For additional information concerning the trampoline equipment, contact the manufacturer. For information concerning skill training, contact a certified trampoline instructor.
8. Inspect the trampoline before each use and replace any worn, defective, or missing parts. The following conditions could represent potential hazards:
 - (1) Missing, improperly positioned, or insecurely attached frame padding,
 - (2) Punctures, frays, tears, or holes worn in the bed or frame padding,
 - (3) Deterioration in the stitching or fabric of the bed or frame padding,
 - (4) Ruptured springs,
 - (5) A bent or broken frame,
 - (6) A sagging bed, or sharp protrusions on the frame or suspension system.
9. Adult supervision of children - Children should always be supervised while they are playing on the trampoline fitted with a Bounce Surround and should be instructed not to use it in an inappropriate or hazardous manner. In particular be aware of:
10. Use trampoline enclosure only with mature, knowledgeable supervision
 - Do not attempt to jump over the barrier
 - Do not attempt to crawl under the barrier.
 - Do not intentionally rebound off the barrier.
 - Do not hang from, kick, cut or climb on the barrier.
 - Wear clothing free of drawstrings, hooks, loops or anything that could get caught in the barrier.
 - Do not attach anything to the barrier that is not a manufacturer-approved accessory or part of the enclosure system.
 - Enter and exit the enclosure only at the enclosure door or barrier opening designated for that purpose.

BOUNCING

1. **Always bounce in the centre of the bed.** Bouncing near the edge of the bed can lead to injury and can also stretch the springs. The frame pad is not designed nor intended to support the weight of the trampoline user. Do not step or jump directly onto the frame pad.
2. **Avoid bouncing too high.** Stay low until you can control your bounce and land consistently in the middle of the bed.
3. **Learn basic bounces and body positions thoroughly before trying more advanced skills.** Attempting a manoeuvre beyond present skill levels increases the chance of loss of control. A controlled jump is one where the landing is in the same spot as the take off. Before learning a more difficult manoeuvre, the preceding one should be performed consistently under control.
4. **Do not attempt somersaults without proper instruction and supervision.** Landing on your head or neck, even in the middle of the trampoline mat increases the risk of a broken neck, which can result in paralysis or death.
5. **To regain control and stop your jump, bend your knees sharply when you land.**
6. **Do not bounce for too long or when tired.**
7. **Do not use the trampoline when under the influence of alcohol or drugs.**

INTRODUCTION TO TRAMPOLINING - BASIC SKILLS

The first periods of trampoline use should focus on learning **fundamental body positions** and practicing the **basic bounces** that are described the following pages of **this manual**.

During this learning period, jumpers should **practice these basic techniques** and **perfect them**. **Braking, or checking the bounce** should be taught first and stressed as a safety measure. Jumpers should brake their jump whenever they start to lose balance or control. This is done by simply bending the knees sharply upon landing and absorbing the upward thrust of the mat (bed). This enables the jumper to stop suddenly and avoid losing control.

In trampoline use, the **take-off point and landing point of a good, controlled jump is on the same spot**. An exercise is considered learned only when a jumper is able to perform it consistently. Jumpers should never proceed to any advanced step until they can perform all previous techniques consistently. Please see below for information about marking the centre of the bed with a target area.

Allow each jumper a **brief turn on the trampoline**. Extended bouncing exposes an over tired user to an increased risk of injury. Longer turns tend to lessen the interest of others waiting to jump.

Clothing should consist of T-shirt, shorts and regulation gymnastic shoes, heavy socks, or jumpers may be barefoot. **Beginners** may wish to wear protective clothing such as a **long sleeve shirt and trousers** until correct landings are mastered. This will reduce the chance of mat (bed) burns from improper landings on elbows and knees. No hard sole shoes should be worn as they cause excessive wear on the trampoline mat (bed).

The trampoline mat is several feet from the ground. Jumping off the trampoline to the ground or any other surface may result in injury. Jumping onto the trampoline from a roof, deck, or other object also represents a risk of injury. Smaller children may need assistance getting up on or down from the trampoline. **Mounting and dismounting properly** should be a strict rule from the very beginning. Users should climb onto the trampoline by placing their hands on the frame and stepping or rolling up onto the frame, across the springs, and onto the mat (bed). Do not step directly on the frame pad or grasp the frame pad when mounting or dismounting the trampoline. Users should always place their hands on the frame while mounting or dismounting. To dismount, jumpers should walk to the side of the mat (bed), bend over and place one hand on the frame, then step from the mat to the ground.

Reckless bouncing should not be permitted. All skills should be learned at **moderate heights**. Control rather than height, should be emphasized. Jumpers should be **forbidden to practice alone** and unsupervised.

BEWARE OF

Knee Drop is no longer recommended by the British Trampoline Federation, as it can cause the bouncer to lose control, bounce forward and fly head first off the side of the trampoline. It has also been known to cause back injuries. Remember that if you happen to do a Knee Drop you are, in fact, isolating two of your bodies vital control and energy absorption joints; your knees and your ankles.

There are many more trampoline moves that require a higher degree of skill and training and should be taught by a qualified trampoline coach.

It is not always realised that somersaults and moves involving full rotation in the air are potentially very dangerous if attempted without proper training and supervision. For this reason we recommend that somersaults are not attempted unless under the supervision of a properly qualified trampoline coach.

CARE AND MAINTENANCE OF YOUR TRAMPOLINE

GENERAL

Your trampoline is designed to stand outside all year round and generally requires very little maintenance. However, a little care and forethought can add years to your trampoline's life. Remember that the bed (mat) and frame pads are made of synthetic materials and are easily damaged by cigarette ends, fireworks and bonfire debris.

FRAME

Do not sit or stand on the frame or the frame pads while the trampoline is in use as this restricts the frames natural reflex action. Oil or petroleum jelly applied where the springs hook into the frame will reduce squeaking and frame hole wear. If surface rust appears it should be removed with either a wire brush or coarse sandpaper, and the area treated with a non-toxic paint.

FRAME PADS

Frame pads are there to protect the user from any fall or landing on the springs and frame. On no account should people be permitted to sit or stand on them when the trampoline is in use. You should also make sure that smaller users do not use the inside edges of the pads as a "handle" when getting up on to the trampoline.

THE MAT

The mat (bed) will, over the years, be gradually weakened by the effects of ultra violet radiation. Therefore, the more it can be protected from direct sunlight the longer it will last. A little mould or mildew should not harm the mat. Do make sure that shoes are removed before bouncing and ensure that any other sharp objects such as belt buckles, brooches and jewellery are removed too.

THE SPRINGS

Do not stand on the springs whilst the trampoline is in use. Try not to bounce on to the springs. They are not designed for this sort of stress and can become stretched, misshapen and weakened. If you find you have any stretched springs, it is important to replace them as soon as possible to avoid damage to the trampoline mat and avoid overloading and therefore damaging the remaining good springs

FIRE RISKS AND DISPOSAL

Never allow toys to be placed or used near a fire. When it becomes necessary to dispose of your equipment, remove all bolts and disassemble. Store out of the reach of children until it can be properly disposed of.

METHODS OF ACCIDENT PREVENTION

JUMPER'S ROLE IN PREVENTING ACCIDENTS

Education on the part of the user is a must for safety. Users must first learn a low controlled bounce and the basic landing positions and combinations before proceeding to intermediate skills. Jumpers must understand why they have to master "control" before they can start thinking about other moves. Understanding the proper progression of skills in jumping on a trampoline must be the first lesson.

SUPERVISORS ROLE IN PREVENTING ACCIDENTS

It is the responsibility of the supervisors of trampoline users to provide knowledgeable and mature supervision. They need to know and enforce all the rules and warnings set forth in this manual in order to minimize the likelihood of accidents and injuries and to inform users of these rules. During periods of time when supervision is unavailable or inadequate, this may require that the trampoline be disassembled, placed in a secure area, or otherwise secured against unauthorized use. It is the responsibility of the supervisor to be sure that the users are fully aware of the safety guidelines which are printed on the pads.

These instructions are issued in the interest of child safety, and we do ask you to follow our advice.

IMPORTANT, LIRE ATTENTIVEMENT CE MANUEL AVANT DE COMMENCER

Nous vous remercions d'avoir acheté un trampoline. Ce trampoline a été conçu et fabriqué pour vous offrir à vous-même ainsi qu'à votre famille de nombreuses années de divertissement et d'activité sportive. Toutefois, **nous vous demandons de bien vouloir lire le présent manuel attentivement dans son intégralité avant de l'assembler et de l'utiliser pour des raisons de sécurité et pour en tirer le meilleur parti.** Conservez-le pour pouvoir vous y référer ultérieurement.



! AVERTISSEMENT !

Évitez toute réception sur la tête ou le cou. Vous vous exposez à un risque de paralysie ou de blessures mortelles, même si vous vous réceptionnez au milieu du tapis de saut.

Évitez les sauts périlleux afin de réduire les chances de vous réceptionner sur la tête ou le cou (saltos).

Une seule personne doit se trouver sur le trampoline à un moment donné.

La présence de plusieurs « sauteurs » augmente les risques de perte d'équilibre, de collision et de chute, susceptibles d'entraîner une fracture crânienne, cervicale, dorsale ou des jambes.



! TRÈS IMPORTANT !

Les trampolines sont des plates-formes de rebondissement qui propulsent l'utilisateur à des hauteurs inhabituelles et entraînent des mouvements corporels divers. Un rebondissement vous éjectant du trampoline, le heurt du cadre ou des ressorts ou une réception incorrecte sur le tapis de saut du trampoline sont susceptibles d'entraîner des blessures.

Une mauvaise utilisation ou une utilisation abusive du trampoline représente un danger et risque de causer des blessures graves.

Inspectez le trampoline avant chaque utilisation, puis remplacez toute pièce manquante, défectueuse ou usée.

Tous les acheteurs et utilisateurs du trampoline doivent se **familiariser** avec les recommandations du fabricant relatives à l'assemblage, l'utilisation et l'entretien du trampoline. Chaque utilisateur doit également être conscient de ses propres limites lors de l'exécution de toute activité sur le trampoline. **Des instructions d'assemblage, des mesures de précaution recommandées, des techniques et des programmes d'apprentissage recommandés, ainsi que des suggestions pour l'entretien du trampoline sont fournies dans le présent manuel de l'utilisateur afin de favoriser une utilisation sécurisante et divertissante de cet équipement. Veuillez les lire attentivement.**

Il **incombe** au propriétaire du trampoline ou à la personne à qui il a été confié de **s'assurer** que tous les utilisateurs du trampoline sont informés de tous les avertissements et instructions de sécurité. **Souvenez-vous que l'utilisation de ce trampoline vous expose à des risques de blessures graves, y compris une paralysie permanente, voire même des blessures mortelles suite à une réception sur la tête ou le cou. Ce risque demeure même si vous vous réceptionnez sur le tapis du trampoline.**

INSTRUCTIONS D'ASSEMBLAGE, D'ENTRETIEN ET D'UTILISATION DES TRAMPOLINES

VOTRE NOUVEAU TRAMPOLINE

INFORMATIONS CONCERNANT L'ASSEMBLAGE

Les trampolines doivent être assemblés par un adulte. Ils doivent être montés en respectant scrupuleusement les instructions d'assemblage, ci-après. L'aide d'une seconde personne facilite l'assemblage. L'assemblage de ce trampoline ne nécessite aucun outil. Le paquet peut contenir de petites pièces et ne convient donc pas à des enfants de moins de 36 mois avant son assemblage complet. Veuillez procéder à un inventaire de toutes les pièces avant d'effectuer l'assemblage et assurez-vous que toutes les pièces incluses sur la liste sont fournies.

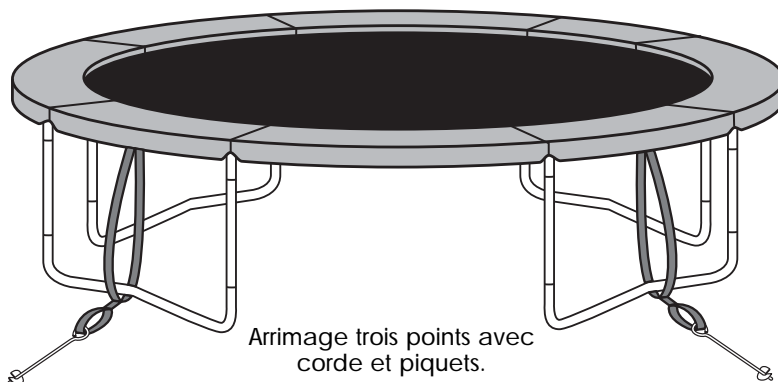
Faites également preuve de prudence durant l'assemblage car le processus de fabrication peut entraîner la formation de bords coupants et de fragments métalliques. Il est également recommandé de porter des gants pour protéger vos mains des points de pincement durant l'assemblage. Si des pièces sont manquantes, le jouet ne doit pas être utilisé tant que des pièces de rechange n'ont pas été mises en place. Vous pouvez contacter le service clientèle de au numéro suivant : +44 1299 872804.

EMPLACEMENT

Le trampoline doit toujours être utilisé dans un endroit bien éclairé. Il ne doit jamais être placé sur une surface dure telle que du béton ou de l'asphalte, sauf si le sol situé en dessous du trampoline ainsi que l'espace libre recommandé entourant le trampoline sont recouverts d'une surface de sécurité (consultez le schéma page 37). On peut citer comme exemple de surface convenable du gazon, du sable ou une surface de jeu spécialement étudiée pour cette application. Le trampoline doit être placé sur une surface plane. Un dégagement minimum en hauteur de 7,30 m est nécessaire pour ce produit. Un dégagement horizontal doit être maintenu par rapport aux objets et aux risques potentiels, y compris le câblage électrique, les branches d'arbre et les clôtures.

VENTS FORTS

Il est possible que le trampoline soit malmené par des vents forts. Si des vents forts sont prévus, remisez le trampoline dans un endroit abrité, démontez-le ou arrimez la partie arrondie extérieure (cadre supérieur) au sol à l'aide de cordes et de piquets. Utilisez au moins trois attaches d'arrimage. Ne fixez pas simplement les pieds au sol car ils peuvent se détacher des attaches de corde du cadre. Un kit spécial d'arrimage peut être obtenu séparément.



CONSIGNES DE SÉCURITÉ GÉNÉRALES

UTILISATION

Les trampolines sont conçus et fabriqués uniquement pour un usage domestique familial. Le trampoline est destiné à être utilisé par une seule personne pesant moins de 100 kg. L'utilisateur doit être pieds nus ou porter des chaussettes, ou des chaussures de gymnastique. Toute mauvaise utilisation risque d'entraîner des blessures. Inspectez le trampoline avant toute utilisation et remplacez toute pièce usée, défectueuse ou manquante. Les coussins de protection doivent toujours être en place.

SURVEILLANCE

Les enfants doivent toujours être surveillés lorsqu'ils jouent sur un trampoline et il doit également leur être interdit d'utiliser le trampoline de manière inappropriée ou dangereuse. Nous déconseillons le port de vêtements amples ou de bijoux qui risquent de s'accrocher pendant que les enfants jouent. Assurez-vous que de très jeunes enfants ne marchent ou ne rampent pas en dessous du trampoline et que la zone située autour et en dessous du trampoline est constamment exempte de tout objet solide.

CONDITIONS MÉTÉOROLOGIQUES

Des mesures spéciales doivent être prises lors de tout changement climatique. Ainsi, un tapis de trampoline mouillé devient trop glissant pour autoriser des activités de saut en toute sécurité. Des rafales ou des bourrasques de vent peuvent déséquilibrer les « sauteurs ». Pour réduire les risques de blessures, utilisez uniquement le trampoline dans des conditions climatiques appropriées. Sous un climat froid, la langue et les lèvres peuvent adhérer aux parties métalliques à des températures inférieures à zéro. Sous un climat plus chaud et ensoleillé, les pièces, notamment les pièces métalliques, peuvent devenir très chaudes, et leur température doit être contrôlée régulièrement.

JEUX AQUATIQUES

De nombreuses surfaces peuvent devenir glissantes lors de jeux aquatiques. Il est recommandé de redoubler de prudence et d'intensifier la surveillance lorsque de l'eau est associée (par exemple piscines pour enfants, toboggans aquatiques etc.) à d'autres formes de jeux d'extérieur.

UTILISATION DU TRAMPOLINE – INFORMATIONS DE SÉCURITÉ IMPORTANTES

AVANT DE COMMENCER, AYEZ À L'ESPRIT LES POINTS SUIVANTS

1. Les trampolines sont des plates-formes de **rebondissement** qui **propulsent** l'utilisateur à des hauteurs inhabituelles et entraînent des mouvements corporels divers. Un rebondissement vous éjectant du trampoline, le heurt du cadre ou des ressorts ou une réception incorrecte sur le tapis de saut du trampoline sont susceptibles d'entraîner des blessures.
2. Tous les acheteurs et utilisateurs du trampoline doivent se **familiariser** avec les recommandations du fabricant relatives à l'assemblage, l'utilisation et l'entretien du trampoline. Chaque utilisateur doit également être conscient de ses propres limites lors de l'exécution de toute activité sur le trampoline. Des instructions d'assemblage, des mesures de précaution recommandées, des techniques et des programmes d'apprentissage recommandés, ainsi que des suggestions pour l'entretien du trampoline sont fournies dans le présent manuel de l'utilisateur afin de favoriser une utilisation sécurisante et divertissante de cet équipement.
3. Il **incombe** au propriétaire du trampoline ou à la personne à qui il a été confié de s'assurer que tous les utilisateurs du trampoline sont informés de tous les avertissements et instructions de sécurité.
4. **N'autorisez jamais la présence simultanée de plus d'une (1) personne sur le trampoline.** La présence simultanée de plusieurs « sauteurs » augmente les risques de blessures. Les utilisateurs risquent en effet d'entrer en collision les uns avec les autres, de chuter du trampoline, de chuter sur les ressorts ou à travers ceux-ci ou encore de se réceptionner sur le tapis de manière inappropriée.
5. Le heurt du cadre ou une chute à travers les ressorts lors d'un bond ou de la sortie du trampoline sont susceptibles d'entraîner des blessures.
Demeurez au centre du tapis du trampoline lors des sauts. **CONSERVEZ TOUJOURS LES COUSSINS DE PROTECTION EN PLACE POUR COUVRIR LE CADRE.** Le coussin de protection du cadre n'est pas conçu ni destiné à supporter le poids de l'utilisateur du trampoline. Ne marchez pas et ne sautez pas directement sur les coussins de protection du cadre.
6. Protégez **toujours** le trampoline contre toute utilisation interdite et non surveillée.

BONDS

1. **Rebondissez toujours au centre du tapis.** La réalisation de bonds près du bord du tapis risque d'entraîner des blessures et peut également détendre les ressorts. Le coussin de protection du cadre n'est pas conçu ni destiné à supporter le poids de l'utilisateur du trampoline. Ne marchez pas et ne sautez pas directement sur le coussin du cadre.
2. **Évitez de faire des bonds trop élevés.** Restez à une hauteur basse jusqu'à ce que vous maîtrisiez votre rebondissement et que vous vous réceptionniez régulièrement au centre du tapis.
3. **Apprenez à réaliser parfaitement des sauts et des positions élémentaires avant d'essayer des techniques plus complexes.** Une tentative de manœuvre nettement plus complexe que votre niveau actuel de compétence augmente les chances de perte d'équilibre. Un saut maîtrisé est un saut dont le point d'arrivée est identique au point de départ. Avant d'apprendre une figure plus difficile, la figure de niveau inférieur doit être réalisée régulièrement avec une parfaite maîtrise.
4. **Ne tentez pas de réaliser de sauts périlleux sans en connaître la technique et sans surveillance.** Une réception sur la tête ou le cou, même au milieu du tapis de trampoline, augmente les chances de fracture cervicale, susceptible de causer une paralysie ou la mort.
5. **Pliez fortement les genoux lors de la réception pour reprendre le contrôle et arrêter le saut.**
6. **Ne sautez pas pendant trop longtemps ou lorsque vous êtes fatigué.**
7. **N'utilisez pas le trampoline sous l'influence de produits psychotropes.**

INITIATION AU TRAMPOLINE - COMPÉTENCES DE BASE

Pendant la période d'initiation au trampoline, il est recommandé aux utilisateurs de se concentrer sur l'apprentissage des positions élémentaires et de pratiquer les sauts de base décrits dans les pages suivantes du présent manuel.

Pendant cette période d'apprentissage, les « sauteurs » doivent pratiquer ces techniques de base et les perfectionner. Le ralentissement ou maîtrise du rebond doit être enseigné en premier et présenté comme une mesure de sécurité. Les « sauteurs » doivent ralentir le saut dès qu'ils commencent à perdre l'équilibre ou le contrôle. Pour ceci, il suffit de plier fortement les genoux à la réception et d'absorber la poussée ascendante du tapis. Ceci permet au « sauteur » de s'arrêter soudainement sans perdre l'équilibre.

L'utilisation d'un trampoline veut que le point de départ et le point d'arrivée d'un saut maîtrisé soient identiques. On considère qu'un exercice est maîtrisé uniquement lorsqu'un « sauteur » est capable de le réaliser régulièrement de manière adéquate. Il est déconseillé de passer à un niveau supérieur avant de maîtriser parfaitement toutes les techniques préliminaires.

Accordez un intervalle de temps limité à chaque utilisateur du trampoline. Une durée prolongée de rebondissement expose un utilisateur fatigué à un risque accru de blessures. Des durées supérieures d'utilisation tendent à amoindrir l'intérêt des autres « sauteurs » qui attendent leur tour.

La tenue recommandée doit consister en un t-shirt, un short, des chaussures de gymnastique réglementaires et des chaussettes épaisses. Les « sauteurs » peuvent également sauter pieds nus. Le port de protections telles qu'un t-shirt à manches longues et de pantalons est conseillé aux débutants jusqu'à ce qu'ils maîtrisent parfaitement la réception. Ceci permet de réduire les risques de brûlures du tapis dues à une réception incorrecte sur les coudes ou les genoux. Le port de chaussures à semelle dure est fortement déconseillé car celles-ci entraînent une usure excessive du tapis de trampoline.

Le tapis de trampoline se trouve à une certaine distance du sol. La sortie du trampoline en sautant au sol ou sur toute autre surface est donc susceptible de provoquer des blessures. L'entrée dans le trampoline en sautant d'un toit, d'une plate-forme ou de tout autre endroit représente également un risque de blessure. Les très jeunes enfants peuvent nécessiter de l'aide pour monter sur le trampoline ou en descendre. La montée et la descente doivent être enseignées correctement avec la plus grande rigueur dès le départ. Montez sur le trampoline en plaçant les mains sur le cadre et en marchant ou en roulant sur le cadre, à travers les ressorts, puis sur le tapis. Ne marchez pas directement sur le coussin de protection et ne l'agrippez pas lors de la montée ou de la descente du trampoline. Placez toujours les mains sur le cadre en montant ou en descendant. Pour descendre, déplacez-vous sur le côté du tapis, courbez-vous et placez une main sur le cadre, puis descendez au sol.

Les rebondissements imprudents doivent être interdits. Toutes les techniques doivent être apprises à des hauteurs modérées. L'accent doit être mis sur le contrôle plutôt que sur la hauteur. Interdisez toute utilisation non surveillée du trampoline.

PRUDENCE.....

La réception sur les genoux n'est plus recommandée par la Fédération britannique de trampoline car elle est susceptible d'entraîner la perte de contrôle de l'utilisateur, de le faire bondir en avant et de l'éjecter la tête la première sur les côtés du trampoline. Cette réception a également causé des blessures dorsales. Il est important de comprendre que lorsque vous effectuez une réception sur les genoux, vous isolez en réalité deux des articulations vitales qui jouent un rôle d'absorption de l'énergie et de contrôle de votre corps: vos genoux et vos chevilles.

De nombreuses autres positions de l'activité trampoline nécessitent un niveau de compétence et d'entraînement plus élevé et doivent être enseignées par un formateur de trampoline qualifié.

Les utilisateurs ne se rendent pas toujours compte du grave danger potentiel que représentent des sauts périlleux et d'autres positions impliquant un tour complet sur soi dans l'air, s'ils sont réalisés sans la formation et la surveillance adéquates. C'est pourquoi nous recommandons aux utilisateurs d'effectuer leur première tentative de saut périlleux en présence d'un formateur de trampoline possédant les qualifications requises.

ENTRETIEN DU TRAMPOLINE

GÉNÉRALITÉS

Votre trampoline a été conçu pour un usage extérieur quelle que soit la saison et nécessite généralement peu d'entretien. Toutefois, un entretien minime et quelques mesures de précaution élémentaires peuvent prolonger considérablement la durée de vie du produit. Souvenez-vous que les coussins de protection du tapis et du cadre sont constitués de matériaux synthétiques qui sont facilement endommagés par des mégots de cigarette ou des projections de feux d'artifice ou de feux de joie.

CADRE

Ne vous asseyez pas et ne vous tenez pas debout sur le cadre ou les coussins du cadre lorsque le trampoline est utilisé car ceci limite l'action de reflexe naturelle du cadre. Appliquez de l'huile ou de la vaseline sur les crochets de fixation des ressorts au cadre afin de réduire les grincements et l'usure au niveau des trous du cadre. En cas d'apparition de rouille à la surface, éliminez-la à l'aide d'une brosse métallique ou de papier de verre épais, et traitez la zone concernée avec une peinture non toxique.

COUSSINS DE CADRE

Les coussins du cadre sont destinés à protéger l'utilisateur contre toute chute ou réception sur les ressorts et le cadre. Personne ne doit être autorisé à s'asseoir ou à se tenir debout sur ces parties lorsque le trampoline est utilisé. Assurez-vous également que les très jeunes utilisateurs n'utilisent pas les bords internes des coussins comme « poignée » pour se hisser sur le trampoline.

LE TAPIS

Le tapis s'use au fil du temps sous l'effet des rayons ultraviolets. Par conséquent, plus vous le protégerez contre la lumière directe du soleil et plus longtemps il durera. La présence d'une petite quantité de moisissures ne présente normalement pas de danger pour le tapis.

Assurez-vous que les utilisateurs retirent leurs chaussures ainsi que tout objet coupant tel que boucles de ceinture, broches ou bijoux avant de sauter.

LES RESSORTS

Ne vous tenez pas sur les ressorts lorsque le trampoline est utilisé. Essayez de ne pas rebondir sur les ressorts. Ceux-ci ne sont pas conçus pour recevoir ce genre de contrainte et peuvent se détendre, se déformer et devenir moins résistants. Si certains des ressorts sont détendus, remplacez-les le plus tôt possible pour éviter d'endommager le tapis du trampoline et évitez de surcharger le trampoline pour éviter d'endommager les ressorts en bon état restants.

RISQUES D'INCENDIE ET MISE AU REBUT

Ne placez et n'utilisez jamais de jouets de marque à proximité d'un feu. Si vous devez vous séparer du trampoline, retirez tous les boulons et désassemblez-le. Remisez-le dans un endroit hors de portée des enfants jusqu'à ce qu'il puisse être mis au rebut de manière adéquate.

MÉTHODES DE PRÉVENTION DES ACCIDENTS

RÔLE DU « SAUTEUR » DANS LA PRÉVENTION DES ACCIDENTS

L'éducation de l'utilisateur est indispensable à la sécurité. Les utilisateurs doivent d'abord apprendre à réaliser un rebond contrôlé à hauteur basse ainsi que les positions de réception et enchaînements élémentaires avant de s'initier aux techniques intermédiaires. Il est important que les « sauteurs » comprennent pourquoi ils doivent apprendre à « maîtriser » une position avant d'en envisager une autre. La première leçon de trampoline doit consister à comprendre la progression logique dans l'acquisition des compétences.

RÔLE DU SURVEILLANT DANS LA PRÉVENTION DES ACCIDENTS

Il incombe aux surveillants des utilisateurs du trampoline de fournir un encadrement responsable et formateur. Les surveillants doivent connaître l'ensemble des consignes et avertissements énoncés dans ce manuel afin de réduire les risques d'accidents et de blessures et d'informer les utilisateurs de ces consignes d'utilisation. Lorsque aucune surveillance adéquate ne peut être fournie, il peut s'avérer utile de désassembler le trampoline, de le placer dans une zone sûre ou d'en interdire l'accès. Il est de la responsabilité du surveillant de s'assurer que les utilisateurs sont parfaitement informés des consignes de sécurité imprimées sur les coussins de protection.

Ces instructions sont fournies dans l'intérêt de la sécurité de l'enfant, et nous insistons sur l'importance de suivre ces conseils.

IMPORTANTE! LEGGERE IL PRESENTE MANUALE PRIMA DI INIZIARE

Grazie per aver acquistato un tappeto elastico. Questo tappeto elastico è stato progettato e realizzato per fornire a voi e a tutta la famiglia molti anni di divertimento ed esercizio ma, **per il vostro vantaggio e in tutta sicurezza, vi consigliamo di leggere attentamente il presente manuale interamente prima di assemblare e utilizzare il tappeto elastico.** Successivamente, conservatelo per consultazioni future.



! ATTENZIONE!

Evitare di cadere sulla testa o sul collo. Si possono provocare paralisi o morte anche cadendo al centro del tappeto elastico (letto).

Per ridurre l'eventualità di cadere sulla testa o sul collo, non eseguire capovolte.

Sul tappeto elastico deve salire solo una persona per volta.

La presenza di più persone aumenta il rischio di perdita di controllo, collisioni e cadute, che possono causare fratture alla testa, al collo, alla schiena o alle gambe.



! RICORDA!

I tappeti elastici sono strutture per saltare che spingono l'utente fino ad altezze non abituali facendo compiere al corpo vari movimenti. Saltare fuori dal tappeto elastico, colpire la struttura o le molle oppure atterrare in modo errato anche al centro del tappeto (letto) sono azioni che possono provocare lesioni.

L'uso improprio e l'abuso del tappeto elastico sono dannosi e possono provocare gravi lesioni.

Prima di ogni utilizzo, controllare il tappeto elastico e sostituire eventuali parti usurate, danneggiate o mancanti.

L'acquirente e tutte le persone che utilizzano in tappeto elastico devono acquisire **dimestichezza** con le raccomandazioni del produttore relative alle corrette procedure di assemblaggio, utilizzo e cura del tappeto. Tutti gli utenti devono inoltre essere consapevoli dei limiti delle proprie abilità di esecuzione. **Il presente manuale contiene istruzioni di montaggio, precauzioni, tecniche e progressioni didattiche raccomandate e suggerimenti per la cura e la manutenzione del tappeto elastico allo scopo di favorire la sicurezza e il divertimento durante l'uso. Si raccomanda di leggere l'intero manuale.**

È **responsabilità** del proprietario o del supervisore del tappeto elastico **garantire** che tutti gli utenti ricevano informazioni adeguate sulle avvertenze e istruzioni di sicurezza. **Ricordarsi che l'utilizzo di questo tappeto elastico espone l'utente al rischio di gravi lesioni, compresa la paralisi permanente o persino la morte, se si cade battendo il collo o la testa. Tale rischio sussiste anche in caso di caduta al centro del tappeto.**

ISTRUZIONI RELATIVE A MONTAGGIO, MANUTENZIONE ED UTILIZZO DEL TAPPETO ELASTICO.

IL VOSTRO NUOVO TAPPETO ELASTICO

INFORMAZIONI SUL MONTAGGIO

Il montaggio dei tappeti elastici deve essere effettuato da una persona adulta. I tappeti devono essere montati seguendo attentamente le istruzioni di montaggio seguenti. Per semplificare il montaggio, farsi aiutare da una seconda persona. Il montaggio di questo tappeto elastico non richiede l'utilizzo di altri strumenti. La confezione può contenere piccole parti e non è adatta a bambini di età inferiore ai 36 mesi, finché il tappeto non viene assemblato completamente. Prima del montaggio, controllare tutti i componenti e verificare che tutte le parti elencate siano presenti.

Prestare attenzione anche durante l'assemblaggio, poiché nel processo di produzione è possibile che vengano prodotti occasionalmente bordi taglienti e piccole parti di residui di oggetti metallici. Si consiglia inoltre di utilizzare guanti per proteggere le mani dai punti taglienti durante il montaggio. In caso risultino parti mancanti, non utilizzare il gioco finché non vengono sostituite le parti di ricambio. Numero servizio di assistenza: +44 1299 872804.

SCelta DEL LUOGO DI MONTAGGIO

Utilizzare sempre il tappeto elastico in un'area ben illuminata. Non posizionarlo in nessun caso su una superficie dura, come cemento o asfalto, a meno che il suolo sotto il tappeto e lo spazio libero consigliato non siano stati coperti con una superficie di sicurezza (controllare lo schema a pagina 37). Esempi di superfici adatte comprendono erba, sabbia o una superficie di gioco a ciò destinata. Sistemare il tappeto elastico su una superficie piana. Garantire uno spazio libero verticale minimo di 7,30 m. Garantire una distanza orizzontale adeguata da oggetti e possibili pericoli, compresi cavi elettrici, rami di alberi e staccionate.

FORTE VENTO

In caso di forte vento il tappeto elastico potrebbe volare via. Qualora si prevedano forti raffiche di vento, spostare il tappeto elastico in un luogo riparato, smontarlo oppure legare la parte esterna rotonda (telaio superiore) al suolo mediante funi e picchetti. Utilizzare almeno tre punti di ancoraggio. Non è sufficiente fissare le gambe al suolo, poiché potrebbero staccarsi dalle cavità della struttura. È disponibile uno speciale kit di cinghie come accessorio.



Ancoraggio a tre punti con fune e picchetti.

LINEE GUIDA GENERALI DI SICUREZZA

UTILIZZO

I tappeti elastici sono progettati e fabbricati esclusivamente per uso domestico familiare. Il tappeto elastico è destinato ad essere utilizzato da una sola persona per volta, di peso inferiore a 100 kg. L'utente deve essere a piedi nudi, indossare calzini oppure scarpe da ginnastica. L'uso improprio può provocare lesioni. Controllare il tappeto elastico prima dell'utilizzo e sostituire sempre le parti usurate, danneggiate o mancanti. Le imbottiture devono essere sempre montate.

SUPERVISIONE

Sorvegliare sempre i bambini quando giocano con i tappeti elastici e istruirli a non utilizzarli in modo inappropriato o pericoloso. Si consiglia di non indossare abiti svolazzanti o gioielli che possano incastrarsi o impigliarsi durante l'utilizzo. Controllare che i bambini piccoli non camminino eretti o carponi sotto il tappeto elastico e tenere l'area attorno e sotto di esso sempre libera da oggetti solidi.

CONDIZIONI CLIMATICHE

Prestare particolare attenzione ai cambiamenti improvvisi delle condizioni climatiche. In particolare, un tappeto elastico umido (letto) è notevolmente scivoloso e non garantisce un utilizzo sicuro. Venti forti o burrascosi possono far perdere il controllo all'utente del tappeto. Per ridurre l'eventualità di lesioni, utilizzare il tappeto elastico solo in condizioni climatiche adeguate. Alle basse temperature e sotto lo zero, la lingua e le labbra potrebbero rimanere incollate alle parti metalliche. In condizioni climatiche più temperate e soleggiate, i componenti possono surriscaldarsi, pertanto la temperatura deve essere controllata regolarmente durante l'utilizzo del tappeto elastico, in particolar modo le parti metalliche.

GIOCHI D'ACQUA

Durante i giochi d'acqua, le superfici diventano scivolose. Quando i giochi d'acqua (ad es. piscine per bambini, scivoli ad acqua, ecc.) sono abbinati ad altre forme di giochi all'aperto richiedono una maggiore attenzione e supervisione.

USO DEL TAPPETO ELASTICO - INFORMAZIONI DI SICUREZZA IMPORTANTI

PRIMA DI COMINCIARE, RICORDARE QUANTO SEGUE

1. I tappeti elastici sono strutture per **saltare** che **spingono** l'utente fino ad altezze **non abituali** facendo compiere al corpo vari movimenti. Saltare fuori dal tappeto elastico, colpire la struttura o le molle oppure atterrare in modo errato anche al centro del tappeto sono azioni che possono provocare lesioni.
2. L'acquirente e tutte le persone che utilizzano in tappeto elastico devono acquisire **dimestichezza** con le raccomandazioni del produttore relative alle procedure corrette di assemblaggio, utilizzo e cura del tappeto. Tutti gli utenti devono inoltre essere consapevoli dei limiti delle proprie abilità di esecuzione. Il presente manuale contiene le istruzioni di montaggio e i suggerimenti per la cura e la manutenzione del tappeto elastico allo scopo di favorire la sicurezza e il divertimento durante l'uso.
3. È **responsabilità** del proprietario garantire che tutti gli utenti ricevano informazioni adeguate sulle avvertenze e le istruzioni di sicurezza.
4. **Non far salire mai sul tappeto elastico più di una (1) persona per volta.** La presenza di più persone aumenta il rischio di lesioni. Gli utenti potrebbero scontrarsi, cadere dal tappeto, sulle molle oppure cadere sul tappeto in modo scorretto.
5. Evitare di colpire la struttura o di cadere sulle molle mentre si salta o mentre si sale o si scende dal tappeto per non causarsi lesioni.
Saltare sempre al centro del tappeto. **CONTROLLARE CHE L'IMBOTTITURA RIMANGA IN SEDE IN MODO DA COPRIRE SEMPRE LA STRUTTURA.** L'imbottitura della struttura non è progettata o destinata a sostenere il peso dell'utente del tappeto elastico. Non calpestare o saltare direttamente sull'imbottitura della struttura.
6. Evitare **sempre** l'uso non autorizzato o non sorvegliato del tappeto.

SALTARE

1. **Saltare sempre al centro del tappeto.** Evitare di saltare vicino al bordo del tappeto per non provocare lesioni o allungare le molle. L'imbottitura della struttura non è progettata o destinata a sostenere il peso dell'utente del tappeto elastico. Non calpestare o saltare direttamente sull'imbottitura della struttura.
2. **Non saltare troppo in alto.** Evitare di saltare troppo in alto finché non si ha il controllo delle proprie capacità di rimbalzo e atterraggio al centro del tappeto.
3. **Apprendere le tecniche di base di rimbalzo e le posizioni del corpo prima di provare ad eseguire salti più difficili.** Evitare di eseguire movimenti che superano le proprie abilità correnti per non correre il rischio di perdere il controllo. Per ottenere un salto controllato, atterrare sempre nello stesso punto di partenza. Imparare movimenti più complicati solo quando si riesce ad eseguire movimenti semplici in modo controllato.
4. **Non eseguire capovolte in mancanza di istruzioni e supervisione adeguate.** Evitare di cadere battendo la testa o il collo, anche al centro del tappeto, per non aumentare il rischio di fratture al collo, che possono causare paralisi o morte.
5. Per recuperare il controllo e bloccare il salto, piegare rapidamente le ginocchia quando si atterra.
6. **Non saltare troppo a lungo o quando si è stanchi.**
7. **Non utilizzare il tappeto elastico sotto l'effetto di alcool o droghe.**

INTRODUZIONE ALL'USO DEL TAPPETO ELASTICO - TECNICHE DI BASE

Durante i primi periodi di utilizzo del tappeto elastico, concentrarsi sull'apprendimento delle principali posizioni del corpo e sull'allenamento dei salti di base descritti nelle pagine seguenti del presente manuale.

Durante questa fase di apprendimento, gli utenti devono esercitarsi con queste tecniche di base e perfezionarle. La prima regola che deve essere insegnata e indicata come misura di sicurezza è la modalità di blocco o controllo del salto. Gli utenti devono bloccare il salto ogniqualvolta cominciano a perdere equilibrio e controllo. Tale operazione viene effettuata semplicemente piegando rapidamente le ginocchia durante l'atterraggio e assorbendo la spinta verso l'alto del centro del tappeto (letto). Questo consente agli utenti di fermarsi immediatamente ed evitare di perdere il controllo.

L'uso corretto del tappeto elastico prevede che il punto di partenza e di atterraggio di un buon salto controllato corrispondano. Un esercizio viene considerato acquisito solo quando l'utente è in grado di eseguirlo ripetutamente in modo corretto. Gli utenti non devono mai eseguire tecniche avanzate se non sono in grado di effettuare le precedenti in modo sempre corretto.

Far eseguire agli utenti una breve prova sul tappeto elastico. Un uso prolungato del tappeto espone un utente molto stanco ad un maggiore rischio di lesioni. Turni prolungati tendono a ridurre l'interesse degli altri utenti in attesa.

Gli indumenti consentiti sono magliette, pantaloncini e normali scarpe da ginnastica, calzini pesanti. Gli utenti possono anche saltare a piedi nudi. I principianti possono indossare indumenti di protezione come maglie a maniche lunghe e pantaloni, fino a quando non controllano correttamente le tecniche di atterraggio. Ciò riduce il rischio di provocarsi escoriazioni cadendo in modo scorretto al centro del tappeto (letto) su gomiti e ginocchia. Non indossare scarpe con soles rigide poiché possono causare un'usura eccessiva del tappeto elastico (letto).

Il tappeto si trova a una distanza notevole dal suolo. Non saltare dal tappeto elastico sul suolo o su altre superfici per non causare lesioni. Anche i salti sul tappeto da un tetto, un terrazzo o da altri supporti costituisce un rischio di lesioni. I bambini piccoli potrebbero richiedere assistenza per salire o scendere dal tappeto elastico. La salita e discesa corrette dal tappeto devono rappresentare una regola ferrea per ogni principiante. Gli utenti devono salire sul tappeto elastico appoggiando le mani sulla struttura e camminando o rotolando sulla struttura, lungo le molle, fino al centro del tappeto (letto). Non camminare direttamente sull'imbottitura della struttura né afferrare l'imbottitura della struttura quando si sale o scende dal tappeto elastico. Gli utenti devono sempre appoggiare le mani sulla struttura quando salgono o scendono dal tappeto elastico. Per scendere, camminare lungo il fianco del tappeto (letto), piegarsi e appoggiare una mano sulla struttura, quindi scendere dal tappeto fino a terra.

Non consentire un utilizzo imprudente del tappeto. Apprendere tutte le tecniche saltando ad altezze moderate. Dare maggiore importanza al controllo che all'altezza. Impedire agli utenti di esercitarsi da soli e senza sorveglianza.

ATTENZIONE A...

La caduta sulle ginocchia non è più un movimento consentito dalla British Trampoline Federation, poiché può causare la perdita del controllo del salto, provocando la proiezione in avanti dell'utente e la caduta fuori dal tappeto elastico. Provoca inoltre lesioni alla schiena. Ricordarsi che l'esecuzione di una caduta sulle ginocchia, infatti, isola due articolazioni del corpo per il controllo vitale e per l'assorbimento dell'energia: le ginocchia e le caviglie.

Il tappeto elastico offre la possibilità di eseguire tanti altri movimenti che richiedono un elevato livello di capacità e che devono essere insegnati da un istruttore qualificato.

A volte non ci si rende conto che le capovolte e i movimenti che comportano rotazioni complete in aria possono risultare molto pericolose se tentate senza un allenamento e una supervisione adeguati. Per tale motivo, si consiglia di non effettuare capovolte, se non sotto la supervisione di un istruttore adeguatamente qualificato.

CURA E MANUTENZIONE DEL TAPPETO ELASTICO

INFORMAZIONI GENERALI

Il tappeto elastico è progettato per l'utilizzo all'aria aperta tutto l'anno e richiede generalmente una manutenzione minima. Tuttavia, la cura e le precauzioni minime del tappeto possono prolungare di vari anni la durata del prodotto. Non dimenticare che il tappeto (letto) e le imbottiture della struttura sono realizzate in materiale sintetico e possono essere facilmente danneggiate da cicche di sigarette, fuochi d'artificio e detriti di falò.

STRUTTURA

Non sedersi o rimanere in piedi sulle imbottiture della struttura quando il tappeto elastico viene utilizzato da un altro utente, poiché in questo modo si riduce la naturale azione di rimbalzo della struttura. L'applicazione di gelatina di olio o petrolio nei punti di aggancio delle molle nella struttura riduce il cigolio e l'usura dei fori della struttura. Se sulla superficie compare ruggine, rimuoverla con una spazzola metallica o carta e trattare l'area con una vernice atossica.

IMBOTTITURE DELLA STRUTTURA

Le imbottiture della struttura servono per proteggere l'utente da eventuali cadute o atterraggi sulle molle e sulla struttura. Non consentire per alcun motivo alle persone di sedersi o rimanere in piedi su di esse quando il tappeto elastico è utilizzato da un altro utente. Assicurarsi inoltre che i bambini piccoli non utilizzino i bordi interni delle imbottiture come "appigli" per salire sul tappeto.

IL TAPPETO

Con il passare degli anni, il tappeto (letto) si indebolisce gradualmente a causa degli effetti delle radiazioni ultraviolette. Pertanto, la durata del tappeto sarà tanto maggiore quanto più viene protetto dalla luce solare diretta. Un po' di terriccio o muffa non danneggiano il tappeto.

Togliersi le scarpe prima di utilizzare il tappeto elastico e assicurarsi che vengano rimossi anche oggetti appuntiti, come fibbie di cinture, spille e gioielli.

LE MOLLE

Non rimanere in piedi sulle molle quando il tappeto elastico viene utilizzato da un altro utente. Evitare di saltare sulle molle. Non sono progettate per sopportare questo tipo di sollecitazioni e possono allungarsi, perdere la forma originaria e indebolirsi. Se si notano molle allungate, è importante sostituirle il prima possibile per evitare di danneggiare e sovraccaricare il tappeto elastico, danneggiando quindi le restanti molle in buono stato.

PERICOLI DI INCENDIO E SMALTIMENTO

Non sistemare né utilizzare mai i giocattoli nei pressi di fiamme libere. Al momento dello smaltimento dell'attrezzatura, rimuovere tutti i bulloni e smontarla. Conservarla lontano dalla portata dei bambini fino al momento in cui è possibile smaltirla nel modo adeguato.

METODI PER LA PREVENZIONE DI INCIDENTI

RUOLO DELL'UTENTE NELLA PREVENZIONE DEGLI INCIDENTI

L'educazione dell'utente costituisce un aspetto fondamentale per garantire la sicurezza. Gli utenti devono imparare innanzitutto ad eseguire salti controllati ad altezze minime e le posizioni e combinazioni base di atterraggio prima di avanzare alle tecniche intermedie. Gli utenti devono comprendere il motivo per cui è necessario dominare il "controllo" prima che possano iniziare a pensare ad altri movimenti. La prima lezione deve essere rappresentata dalla comprensione della giusta progressione di abilità di salto su un tappeto elastico.

RUOLO DEI SUPERVISORI NELLA PREVENZIONE DEGLI INCIDENTI

È responsabilità dei supervisori del tappeto elastico fornire una supervisione competente e matura. I supervisori devono conoscere ed applicare tutte le norme e le avvertenze stabilite precedentemente in questo manuale allo scopo di ridurre al minimo la possibilità di incidenti e lesioni e per informare gli utenti di queste norme. Durante i periodi di tempo in cui la supervisione non è disponibile o non è adeguata, potrebbe essere necessario smontare il tappeto elastico, sistemarlo in un'area protetta o proteggerlo in altro modo dall'uso non autorizzato. È responsabilità del supervisore assicurarsi che gli utenti conoscano alla perfezione le linee guida sulla sicurezza stampate sulle imbottiture.

Tali istruzioni sono indicate per la sicurezza dei bambini, pertanto si consiglia di seguire tali consigli.

¡IMPORTANTE, ANTES DE EMPEZAR, LEER ESTE MANUAL

Gracias por comprar una Cama Elástica. Esta cama elástica está diseñada y fabricada para proporcionarle a usted y a su familia muchos años de diversión y ejercicio, pero por su bien y seguridad, lea atentamente este manual en su totalidad antes de montarla y utilizarla. Conserve el manual para consultas futuras.



¡ATENCIÓN!

No caer sobre la cabeza o el cuello. Se puede producir parálisis o la muerte aunque caiga en mitad de la esterilla de la cama elástica.

Para reducir las probabilidades de caer sobre la cabeza o el cuello, no hacer volteretas en el aire.

Solamente una persona cada vez en la cama elástica.

Si hay varias personas saltando a la vez, aumentan las probabilidades de perder el control, chocar y caer fuera.

Esto puede provocar roturas en cabeza, cuello, espalda o piernas.



¡RECUERDE!

Las camas elásticas son mecanismos que rebotan e impulsan al usuario a alturas poco habituales, y llevan a hacer diferentes movimientos corporales. Rebotar fuera de la cama elástica, golpear la estructura o los muelles, o caer mal sobre la esterilla de la cama elástica puede producir lesiones.

El uso inadecuado o el maltrato de esta cama elástica resulta peligroso y puede causar lesiones graves.

Inspeccionar la cama elástica antes de usarla, y cambiar las partes que estén desgastadas, defectuosas o que falten.

Los compradores y las personas que usen esta cama elástica deben **estar al corriente** de las recomendaciones del fabricante para montarla, usarla y cuidarla adecuadamente. Los usuarios deben ser conscientes también de sus propias limitaciones en el uso de la cama elástica. **En este manual de usuario se incluyen instrucciones de montaje, precauciones que deben tenerse, técnicas y progresiones instructivas recomendadas y sugerencias para el cuidado y mantenimiento de la cama elástica, con el fin de fomentar el uso seguro y agradable de este equipo.** Lea atentamente estas indicaciones.

Es responsabilidad del propietario o del supervisor de la cama elástica **garantizar** que todos los usuarios de la misma sean informados adecuadamente de todas las advertencias e instrucciones de seguridad. **Recuerde que el uso de esta cama elástica le expone al riesgo de sufrir graves lesiones, como la parálisis permanente o incluso la muerte si cae sobre el cuello o la cabeza. El riesgo existe aunque caiga sobre la esterilla de la cama elástica.**

INSTRUCCIONES DE MONTAJE, MANTENIMIENTO Y USO DE LAS CAMAS ELÁSTICAS.

SU NUEVA CAMA ELÁSTICA

INFORMACIÓN SOBRE EL MONTAJE

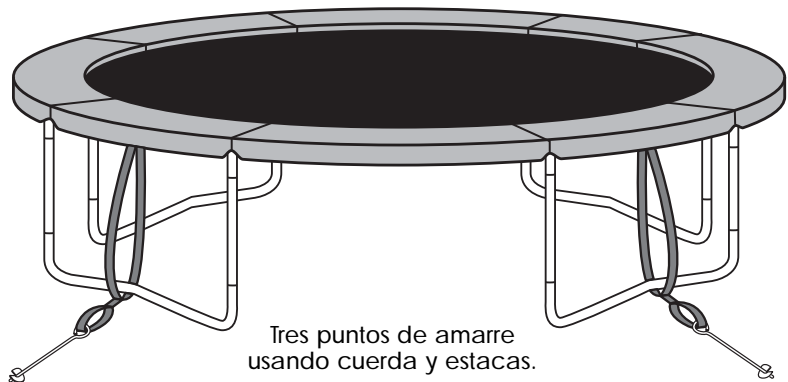
Las camas elásticas deben ser montadas por un adulto. Se deben armar siguiendo exactamente las instrucciones de montaje, que se indican a continuación. El montaje será más fácil si contamos con un ayudante. No se necesita ninguna herramienta para montar esta cama elástica. Este paquete puede contener algunas piezas pequeñas y no es recomendable para niños menores de 3 años hasta que esté completamente montada. Tome el inventario de las piezas antes de comenzar el montaje y asegúrese de que vienen todas las piezas que aparecen enumeradas. Tenga cuidado también durante el montaje, porque en el proceso de fabricación se pueden producir en ocasiones restos metálicos pequeños y afilados. Así mismo, se recomienda utilizar guantes para proteger sus manos de pellizcos durante el montaje. Si falta alguna pieza, no se debe utilizar el juguete hasta haberla repuesto. El teléfono del Servicio al Cliente de es: +44 1299 872804.

COLOCACIÓN

La cama elástica debe usarse siempre en una zona bien iluminada. Bajo ninguna circunstancia debe colocarse sobre una superficie dura como hormigón o asfalto, salvo que el terreno sobre el que se coloca la cama y la zona de espacio libre recomendada esté cubierto por una superficie de seguridad (vea el gráfico de la página 37). Superficies adecuadas son, por ejemplo, la hierba, la arena o una superficie de juegos destinada a tal fin. La cama elástica debe colocarse en una superficie plana. Se necesita un mínimo de 7,30 metros de espacio libre por encima de la cabeza para usar este producto. Hay que conservar también un espacio libre en horizontal, sin objetos y peligros posibles, como cables de electricidad, ramas y vallas.

VIENTOS FUERTES

Es posible que el viento fuerte vuelque la cama elástica. Si se prevén vientos fuertes, se debe trasladar la cama elástica a un lugar cubierto, o desmontarla, o atar al suelo con una cuerda y estacas la parte redonda exterior (estructura superior). Se deben usar al menos tres puntos de amarre. No ate simplemente las patas al suelo, ya que pueden salirse de los encajes de la estructura. Existe como accesorio un kit especial de amarres.



INDICACIONES GENERALES DE SEGURIDAD

USO

Las camas elásticas están diseñadas y fabricadas para uso doméstico familiar exclusivamente. La cama elástica debe ser utilizada por una persona solamente cada vez, con un peso máximo de 100 kg. El usuario debe estar descalzo, en calcetines o llevar zapatillas deportivas. El uso incorrecto del producto puede causar lesiones. Inspeccionar la cama elástica antes de usarla, y cambiar las partes que estén desgastadas, defectuosas o que falten. Poner bien siempre las almohadillas.

VIGILANCIA

Los niños deben estar siempre vigilados mientras juegan en la cama elástica y hay que enseñarles a no usar la cama de forma inadecuada o peligrosa. Recomendamos que no lleven ropa ancha o joyas que se puedan enganchar durante el juego. Asegúrese de que los niños pequeños no andan ni gatean por debajo de la cama elástica y mantenga siempre libre de objetos sólidos la zona inferior y la que rodea la cama.

CONDICIONES METEOROLÓGICAS

Se debe tener un cuidado especial cuando cambien las condiciones meteorológicas. En concreto, la esterilla de la cama elástica resbala demasiado cuando se moja para saltar con seguridad. Los vientos fuertes o racheados pueden hacer perder el control a los saltadores. Para reducir las posibilidades de sufrir lesiones, usar la cama elástica solamente en condiciones meteorológicas adecuadas. Cuando hace frío, la lengua y los labios se pueden pegar a las piezas metálicas en temperaturas bajo cero. Cuando luce el sol o hace más calor, las piezas pueden calentarse y hay que controlar periódicamente la temperatura durante el juego, especialmente la de las piezas metálicas.

JUEGOS ACUÁTICOS

Muchas superficies pueden resultar resbaladizas si se juega con agua. Se debe tener un cuidado especial y vigilar bien cuando se combina agua (piscinas inflables, toboganes acuáticos, etc.) con otras formas de juegos al aire libre.

USO DE LA CAMA ELÁSTICA - INFORMACIÓN IMPORTANTE SOBRE LA SEGURIDAD

ANTES DE EMPEZAR, RECUERDE

1. Las camas elásticas son mecanismos **que rebotan e impulsan** al usuario a alturas **poco habituales**, y llevan a hacer diferentes movimientos corporales. Rebotar fuera de la cama elástica, golpear la estructura o los muelles, o caer mal sobre la cama elástica puede producir lesiones.
2. Los compradores y las personas que usen esta cama elástica deben **estar al corriente** de las recomendaciones de los fabricantes para montarla, usarla y cuidarla adecuadamente. Los usuarios deben ser conscientes también de sus propias limitaciones en el uso de la cama elástica. En este manual de usuario se incluyen instrucciones de montaje, precauciones que deben tenerse y sugerencias para el cuidado y mantenimiento de la cama elástica, con el fin de fomentar el uso seguro y agradable de este equipo.
3. Es **responsabilidad** del propietario de la cama elástica garantizar que todos los usuarios de la misma sean informados adecuadamente de todas las advertencias e instrucciones de seguridad.
4. **No permita nunca que haya más de una (1) persona en la cama elástica cada vez.** Si hay varios saltadores aumentan las probabilidades de que alguien resulte lesionado. Los saltadores puedan chocar unos con otros, caer fuera de la cama elástica, caer sobre los muelles o entre estos, o caer mal sobre la esterilla de la cama.
5. Se pueden producir lesiones si se golpean con la estructura o caen entre los muelles al saltar o al entrar y salir de la cama elástica.
Permanecer en el centro de la cama elástica al saltar. **ASEGÚRESE DE MANTENER LA ALMOHADILLA EN SU LUGAR PARA QUE CUBRA LA ESTRUCTURA EN TODO MOMENTO.** La almohadilla no está diseñada para soportar el peso del usuario de la cama elástica. No camine ni salte directamente sobre la almohadilla que cubre la estructura.
6. Proteja **siempre** la cama elástica del uso sin autorización y vigilancia.

SALTOS

1. **Saltar siempre en el centro de la cama.** Saltar cerca del borde de la cama puede causar lesiones y dar de sí los muelles. La almohadilla no está diseñada para soportar el peso del usuario de la cama elástica. No camine ni salte directamente sobre la almohadilla que cubre la estructura.
2. **Evite saltar demasiado alto.** Salte a poca altura hasta que pueda controlar sus saltos y caiga sistemáticamente en el centro de la cama.
3. **Aprenda los saltos y las posiciones básicas antes de intentar hacer saltos más avanzados.** Tratar de exceder el nivel de destreza actual aumentará las probabilidades de perder el control. Un salto controlado es aquel en el que uno cae en el mismo punto desde el que saltó. Antes de aprender una maniobra más difícil, se debe ejecutar la anterior sistemáticamente de forma controlada.
4. **No intente hacer volteretas en el aire sin las instrucciones y la vigilancia adecuada.** Caer sobre la cabeza o el cuello, aunque sea en el centro de la cama elástica, aumenta las probabilidades de romperse el cuello, lo que puede causar una parálisis o la muerte.
5. Para recuperar el control y detener el salto, **doble las rodillas bruscamente al caer.**
6. **No salte demasiado tiempo o si está cansado.**
7. **No utilice la cama elástica bajo la influencia del alcohol o de las drogas.**

INTRODUCCIÓN A LOS SALTOS EN CAMAS ELÁSTICAS – NOCIONES BÁSICAS

Las primeras fases del uso de la cama elástica deben dirigirse a aprender las posiciones básicas y a practicar los saltos básicos que se describen en las siguientes páginas del manual.

Durante esta fase de aprendizaje, los saltadores deberían practicar estas técnicas básicas y perfeccionarlas. Primero se debe enseñar a frenar o controlar el salto, y hay que insistir en ello como medida de seguridad. Los saltadores deben frenar su salto siempre que empiecen a perder el equilibrio o el control. Esto se hace doblando las rodillas bruscamente al caer y absorbiendo de este modo el impulso ascendente de la esterilla. Esto permite al saltador detenerse repentinamente y evitar la pérdida de control.

Al usar la cama elástica, el punto de despegue y de caída de un buen salto controlado es el mismo. Se

considera que se ha aprendido un ejercicio solamente cuando el saltador es capaz de ejecutarlo sistemáticamente. Los saltadores no deben pasar a una fase más avanzada hasta que puedan ejecutar todas las técnicas anteriores de forma sistemática.

Permita que todos los saltadores tengan un turno rápido en la cama elástica. Saltar de forma prolongada en el tiempo expone a un usuario demasiado cansado al riesgo de sufrir lesiones. Los turnos largos suelen reducir el interés de los demás que desean saltar.

Los saltadores deberían vestir camiseta, pantalones cortos y zapatillas deportivas, o ir en calcetines gordos o descalzos. Es posible que los principiantes quieran llevar ropa protectora, como camiseta de manga larga y pantalones largos, hasta que dominen los aterrizajes. Esto reducirá las probabilidades de sufrir quemaduras por la esterilla como consecuencia de caídas incorrectas sobre los codos y las rodillas. No se debe usar calzado de suela dura porque desgasta demasiado la esterilla de la cama elástica.

La esterilla está a varios centímetros del suelo. Saltar de la cama al suelo o a otra superficie puede provocar lesiones. Saltar a la cama elástica desde un tejado, una cubierta u otro objeto también constituye un riesgo de lesiones. Los niños pequeños pueden necesitar ayuda para levantarse o bajar de la cama elástica. Subir y bajar de forma apropiada

debería ser una norma estricta desde el principio. Los usuarios deben subir a la cama elástica colocando las manos en la estructura y pasando o acercándose por la misma, a través de los muelles, a la esterilla. No pasar directamente a la almohadilla de la estructura ni agarrar la misma al subir o bajar de la cama elástica. Los usuarios deben colocar las manos siempre en la estructura al subir y bajar. Para bajar, los saltadores deben caminar a un lado de la esterilla, inclinarse y poner una mano en la estructura, y después pasar de la almohadilla al suelo.

No se deben permitir los saltos temerarios. Todas las nociones se deben aprender a alturas moderadas. Se debe otorgar más importancia al control que a la altura. Se debe prohibir a los saltadores practicar solos y sin vigilancia.

CUIDADO CON...

La Federación británica de camas elásticas ya no recomienda el salto de rodillas, ya que puede hacer perder el control al saltador, impulsarle hacia delante y hacer que se golpee primero con la cabeza fuera de la cama elástica. Así mismo, se ha comprobado que causa lesiones de espalda. Recuerde que si realiza un salto de rodillas estará, de hecho, aislando dos de los puntos de absorción de energía y control vital del cuerpo: las rodillas y los tobillos.

Existen muchos más movimientos en la cama elástica que requieren un grado de destreza y formación superior, y deben ser enseñados por un entrenador experto capacitado.

No siempre nos damos cuenta de que las volteretas y los movimientos que implican una rotación completa en el aire son potencialmente muy peligrosos sin la formación y la vigilancia adecuada. Por eso recomendamos no intentar hacer saltos con voltereta salvo que se hagan bajo la vigilancia de un entrenador especialmente capacitado.

CUIDADO Y MANTENIMIENTO DE SU CAMA ELÁSTICA

INFORMACIÓN GENERAL

Su cama elástica está diseñada para permanecer fuera todo el año, y generalmente necesita muy poco mantenimiento. No obstante, un mínimo cuidado y previsión puede añadir años de vida a su cama elástica. Recuerde que la esterilla y las almohadillas están hechas de materiales sintéticos y se estropean fácilmente con las quemaduras de cigarrillos, fuegos artificiales y restos de hogueras.

ESTRUCTURA

No se siente ni se ponga de pie sobre la estructura o las almohadillas de la estructura mientras se usa la cama elástica, ya que esto impide la acción natural automática de las estructuras. Para reducir los chirridos y el desgaste de los agujeros de la estructura, aplique aceite o vaselina en el enganche de los muelles con la estructura. Si se forma roña, habrá que eliminarla con un cepillo de alambre o un papel de lija grueso, y tratar la zona con pintura no tóxica.

ALMOHADILLAS DE LA ESTRUCTURA

Las almohadillas de la estructura están ahí para proteger al usuario de cualquier caída o aterrizaje en los muelles y en la estructura. Bajo ninguna circunstancia debe permitir que la gente se siente o permanezca de pie sobre ellas mientras se usa la cama elástica. Debería asegurarse también de que los usuarios más pequeños no usen los bordes interiores de las almohadillas como "asidero" para levantarse en la cama elástica.

LA ESTERILLA

La esterilla se debilitará con el paso de los años por los efectos de la radiación ultravioleta. Por tanto, cuanto más se proteja de la luz directa del sol, más durará. Un poco de moho no dañará la esterilla.

Asegúrese de que se quitan los zapatos antes de saltar, y de que se quita también cualquier otro objeto puntiagudo, como las hebillas de cinturón, los broches y las joyas.

LOS MUELLES

No permanezca de pie sobre los muelles mientras se usa la cama elástica. Intente no saltar hacia los muelles. No están diseñados para este tipo de tensión y se pueden estirar, deformar y aflojar. Si observa que algún muelle se ha dado de sí, es importante cambiarlo lo antes posible para evitar que se dañe la esterilla e impedir sobrecargas que pueden dañar el resto de muelles en buen estado.

RIESGO DE INCENDIO Y FORMA DE DESHACERSE DEL PRODUCTO

No permita nunca colocar ni utilizar juguetes cerca del fuego. Cuando sea necesario deshacerse de su equipo, quite todos los tornillos y desmóntelo. Guárdelo fuera del alcance de los niños hasta que pueda deshacerse de él.

MÉTODOS DE PREVENCIÓN DE ACCIDENTES

EL PAPEL DEL SALTADOR EN LA PREVENCIÓN DE ACCIDENTES

La educación por parte del usuario es una obligación para la seguridad. Los usuarios deben aprender primero a realizar saltos bajos controlados y las combinaciones y posiciones básicas de aterrizaje antes de pasar al nivel intermedio. Los saltadores deben comprender por qué tienen que dominar el "control" antes de empezar a pensar en otros movimientos. La primera lección debe ser comprender la progresión adecuada de las destrezas en el salto sobre la cama elástica.

EL PAPEL DE LOS VIGILANTES EN LA PREVENCIÓN DE ACCIDENTES

Es responsabilidad de las personas que vigilan a los usuarios de la cama elástica vigilar de forma madura y entendida. Deben conocer y hacer cumplir todas las normas y advertencias que contiene este manual para minimizar la probabilidad de que se produzcan accidentes y lesiones, e informar a los usuarios de estas normas. En los períodos de tiempo en que no haya vigilancia o ésta resulte inadecuada, puede ser necesario desmontar la cama, colocarla en un lugar seguro o impedir que sea usada sin autorización. Es responsabilidad de las personas que vigilan asegurarse de que los usuarios son plenamente conscientes de las indicaciones de seguridad impresas en las almohadillas.

Estas instrucciones se publican por el bien de la seguridad de los niños, y le rogamos que siga nuestros consejos.

D

WICHTIG: BEVOR SIE BEGINNEN, LESEN SIE DIESES HANDBUCH.

Vielen Dank, dass Sie dieses Trampolin von gekauft haben. Es wurde konstruiert, um Ihnen und Ihrer Familie jahrelangen Spaß und Bewegung zu bieten, aber lesen Sie diese Handbuch für Ihren Nutzen und Ihre Sicherheit bitte sorgfältig und ganz durch, bevor Sie das Trampolin montieren und benutzen. Bitte bewahren Sie dieses Handbuch für künftige Bezugnahme auf.



ACHTUNG!
Achten Sie darauf, dass Sie nicht auf Ihrem Kopf oder Nacken landen. Es kann sonst zur Lähmung oder sogar zum Tod führen, auch wenn Sie in der Mitte des Trampolins landen.

Um das Risiko zu vermindern, auf dem Kopf oder Nacken zu landen, dürfen Sie keinen Salto durchführen.

Es darf sich immer nur eine Person zur Zeit auf dem Trampolin befinden.



Wenn sich mehrere Personen gleichzeitig auf dem Trampolin befinden, erhöht sich die Gefahr, dass jemand sein Gleichgewicht verliert, Personen zusammenstoßen und vom Trampolin herunterfallen.

Dabei können Sie sich den Schädel, Nacken, Rücken oder die Beine brechen.

NICHT VERGESSEN!

Trampoline sind zurückprallende Geräte, die den Benutzer in ungewohnte Höhen und verschiedene Körperbewegungen schleudert. Wenn man vom Trampolin zurückprallt, oder auf dem Rahmen oder den Federn oder falsch auf dem Trampolin landet, kann man sich verletzen.

Missbrauch und Zweckentfremdung dieses Trampolins ist gefährlich und kann schwere Verletzungen verursachen.

Das Trampolin ist vor jedem Gebrauch zu überprüfen, verschlissene, defekte und fehlende Teile sind zu erneuern.

Käufer und Personen, die das Trampolin benutzen, müssen sich mit den Empfehlungen des Herstellers zur richtigen Montage, dem Gebrauch und der Pflege des Trampolins **vertraut machen**. Jeder Benutzer muss sich auch seiner eigenen Fähigkeiten bei der Benutzung des Trampolins bewusst sein. **Dieses Handbuch enthält eine Montageanleitung, einige Vorsichtsmaßnahmen, empfohlene Unterweisungsmethoden und Abfolgen sowie Empfehlungen zur Pflege und Wartung des Trampolins, damit Sie auf sichere Art und Weise viel Spaß mit diesem Trampolin haben. Bitte vollkommen durchlesen.**

Der Besitzer bzw. Betreiber des Trampolins **muss sicherstellen**, dass alle Benutzer des Trampolins ausreichend über alle Warnungen und Sicherheitsanweisungen informiert werden. **Nicht vergessen: Beim Benutzen dieses Trampolins besteht die Gefahr, sich schwer zu verletzen, einschließlich Dauerlähmung oder sogar Tod, wenn Sie auf Ihrem Kopf oder Nacken landen. Dieses Risiko besteht auch, wenn Sie auf dem Sprungtuch des Trampolins landen.**

ANLEITUNG ZUR MONTAGE, WARTUNG UND BENUTZUNG VON TRAMPOLINEN VON.

DAS NEUE TRAMPOLIN

INFORMATIONEN ZUR MONTAGE

Trampoline von müssen von einem Erwachsenen montiert werden. Sie müssen genau nach den Montageanleitungen unten montiert werden. Die Montage ist leichter mit zwei Personen. Es werden keine Werkzeuge zur Montage des Trampolins benötigt. Diese Packung kann Kleinteile enthalten und ist nicht für Kinder unter 36 Monaten geeignet, bis das Gerät vollkommen montiert ist. Bitte überprüfen Sie, dass alle aufgeführten Teile vorhanden sind, bevor Sie mit der Montage beginnen.

Seien Sie bei der Montage vorsichtig, da bei der Herstellung gelegentlich scharfe Kanten und Metallspäne entstehen können. Es wird empfohlen, bei der Montage Handschuhe zu tragen, um die Hände vor dem Einklemmen zu schützen. Wenn Teile fehlen, darf das Spielzeug erst dann benutzt werden, wenn die Ersatzteile montiert sind - die Kundendiensttelefonnummer der Firma ist +44-12 99 87 28 04.

AUFSTELLEN

Das Trampolin ist in einem gut beleuchteten Bereich aufzustellen. Es darf niemals auf einer harten Oberfläche wie Beton oder Asphalt aufgestellt werden, es sei denn der Boden darunter und der umgebende Bereich sind mit einer Schutzoberfläche bedeckt (siehe Zeichnung S. 37). Geeignete Oberflächen sind Gras, Sand oder eine zweckbestimmte Spieloberfläche. Das Trampolin ist auf einer ebenen Oberfläche aufzustellen. Über dem Trampolin wird ein Freiraum von mindestens 7,30 m benötigt. Es wird ein ausreichender horizontaler Freiraum benötigt, der frei von gefährlichen Gegenständen einschließlich Stromkabeln, Ästen und Zäunen ist.

STARKER WIND

Das Trampolin kann von starkem Wind umgekippt werden. Wenn starker Wind zu erwarten ist, bringen Sie das Trampolin unter Schutz oder demontieren Sie es oder binden Sie es am Außenring (Oberrahmen) mit einem Seil und Pflöcken fest. Es ist an mindestens drei Stellen abzubinden. Es genügt nicht, einfach die Beine am Boden zu befestigen, da sie aus den Rahmenrohren herausgezogen werden können. Ein besonderer Festbindesatz ist als Zubehör erhältlich.



ALLGEMEINE SICHERHEITSHINWEISE

BENUTZUNG

Die Trampoline von sind nur für den Heimgebrauch konstruiert. Das Trampolin darf nur von einer Person zur Zeit benutzt werden, deren Gewicht unter 100 kg liegt. Der Benutzer muss entweder barfuß sein oder Socken oder Turnschuhe tragen. Missbrauch kann zu Verletzungen führen. Trampolin vor jedem Gebrauch überprüfen, verschlissene, defekte und fehlende Teile sind immer zu erneuern. Die Polster sind immer zu montieren.

BEAUFSICHTIGUNG

Kinder sind beim Spielen auf dem Trampolin von immer zu beaufsichtigen und zu unterweisen, dass das Trampolin nie auf ungeeignete und gefährliche Weise zu benutzen ist. Wir empfehlen, dass sie keine lose Kleidung oder Schmuck tragen, die sich beim Spielen verfangen könnten. Stellen Sie sicher, dass kleine Kinder nicht unter das Trampolin gehen oder kriechen, und halten Sie den Bereich unter und neben dem Trampolin immer frei von festen Gegenständen.

WETTER

Bei Witterungsänderungen ist besondere Vorsicht geboten. Ein nasses Trampolin (Sprungfläche) ist für sicheres Springen zu schlüpfrig. Bei Windböen und starkem Wind kann ein Springer das Gleichgewicht verlieren. Zur Verringerung der Verletzungsgefahr ist das Trampolin nur bei geeignetem Wetter zu benutzen. Bei Frost können Zungen und Lippen an Metallteilen feststecken. Bei warmem und sonnigem Wetter können Teile heiß werden, die Temperatur ist beim Spielen besonders an Metallteilen regelmäßig zu überprüfen.

SPIELEN MIT WASSER

Viele Oberflächen werden beim Spielen mit Wasser schlüpfrig. Bei Spielen mit Wasser im Freien (z. B. mit Planschbecken, Rutschen usw.) ist besondere Vorsicht und Aufsicht nötig.

VERWENDUNG DES TRAMPOLINS - WICHTIGE SICHERHEITSINFORMATIONEN

NICHT VERGESSEN, BEVOR SIE BEGINNEN

1. Trampoline sind **zurückprallende** Geräte, die den Benutzer in **ungewohnte** Höhen und verschiedene Körperbewegungen schleudert. Wenn man vom Trampolin zurückprallt, oder auf dem Rahmen oder den Federn oder falsch auf dem Trampolin landet, kann man sich verletzen.
2. Käufer und Personen, die das Trampolin benutzen, müssen sich mit den Empfehlungen des Herstellers zur richtigen Montage, dem Gebrauch und der Pflege des Trampolins **vertraut** machen. Jeder Benutzer muss sich auch seiner eigenen Fähigkeiten bei der Benutzung des Trampolins bewusst sein. Dieses Handbuch enthält eine Montageanleitung, einige Vorsichtsmaßnahmen, empfohlene Unterweisungsmethoden sowie Empfehlungen zur Pflege und Wartung des Trampolins, damit Sie auf sichere Art und Weise viel Spaß mit diesem Trampolin haben.
3. Der Besitzer bzw. Betreiber des Trampolins **muss** sicherstellen, dass alle Benutzer des Trampolins ausreichend über alle Warnungen und Sicherheitsanweisungen informiert werden.
4. **Es darf sich immer nur eine Person zur Zeit auf dem Trampolin befinden.** Wenn sich mehrere Personen gleichzeitig auf dem Trampolin befinden, erhöht sich die Verletzungsgefahr. Springer können zusammenstoßen, vom Trampolin herabfallen, auf oder durch die Federn fallen oder falsch auf dem Trampolinsprungtuch landen.
5. Wenn man beim Springen, Auf- oder Abklettern auf dem Rahmen landet oder durch die Federn fällt, kann man sich verletzen.
Landen Sie beim Springen immer in der Mitte des Trampolins. **STELLEN SIE SICHER, DASS DIE RAHMENPOLSTER IMMER MONTIERT SIND UND DEN RAHMEN BEDECKEN.** Das Rahmenpolster ist nicht robust genug und nicht dazu bestimmt, das Gewicht des Trampolinbenutzers zu tragen. Nicht direkt auf das Rahmenpolster treten oder springen.
6. Das Trampolin ist **immer** gegen unbefugten und unbeaufsichtigten Gebrauch abzusichern.

HÜPFEN

1. **Immer mitten auf dem Trampolin hüpfen.** Wenn Sie am Rande des Trampolins hüpfen, können Sie sich verletzen und die Federn ausdehnen. Das Rahmenpolster ist nicht robust genug und nicht dazu bestimmt, das Gewicht des Trampolinbenutzers zu tragen. Nicht direkt auf das Rahmenpolster treten oder springen.
2. **Nicht zu hoch hüpfen.** Hüpfen Sie nicht zu hoch, bis Sie gelernt haben, das Hüpfen zu kontrollieren und immer mitten auf dem Trampolin landen.
3. **Lernen Sie zunächst gründlich einfaches Hüpfen und einfache Körperstellungen, bevor Sie fortschrittlichere Positionen ausprobieren.** Wenn Sie Manöver versuchen, die Ihre gegenwärtigen Fähigkeiten überschreiten, können Sie leicht Ihr Gleichgewicht verlieren. Bei einem kontrollierten Sprung landet man auf genau derselben Stelle, von der man abgesprungen ist. Bevor Sie schwierigere Manöver lernen, sollte das gegenwärtige Manöver andauernd kontrolliert durchgeführt werden.
4. **Versuchen Sie einen Salto nur nach richtiger Anweisung und unter Aufsicht.** Wenn Sie auf Ihrem Kopf oder Nacken landen, selbst mitten auf dem Trampolin, besteht eine große Gefahr, dass Sie sich den Nacken brechen, was Lähmung oder sogar Tod verursachen kann.
5. **Wenn Sie wieder Kontrolle bekommen und Ihren Sprung anhalten möchten, gehen Sie beim Landen in die Knie.**
6. Hüpfen Sie nicht zu lange, und auch nicht bei Müdigkeit.
7. Das Trampolin darf nach dem Verzehr von Alkohol oder Drogen nicht benutzt werden.

EINFÜHRUNG INS TRAMPOLINSPRINGEN - GRUNDLEGENDE FÄHIGKEITEN

Zu Beginn des Trampolinspringens sollte man sich auf grundlegende Körperhaltung konzentrieren und die grundlegenden Sprünge lernen, die auf den folgenden Seiten dieses Handbuchs beschrieben sind.

Im ersten Lernabschnitt übt und vervollkommnet der Springer diese grundlegende Technik. Das Abbremsen bzw. Anhalten des Federns wird zuerst gelehrt, wobei seine Funktion als Sicherheitsmaßnahme betont wird. Ein Springer muss seinen Sprung immer abbremsen, wenn er sein Gleichgewicht oder Kontrolle verliert. Das macht man, indem man beim Landen in die Knie geht und so den aufwärts gerichteten Druck des Trampolins absorbiert. So kann der Springer plötzlich anhalten und sein Gleichgewicht beibehalten.

Bei einem gut kontrollierten Trampolinsprung landet man auf derselben Stelle, von der man abgesprungen ist. Eine Übung gilt nur dann als beherrscht, wenn ein Springer sie andauernd durchführen kann. Ein Springer darf erst dann zum nächsten Niveau aufsteigen, wenn er alle bisher gelernten Techniken beständig ausführen kann.

Alle Springer sollten das Trampolin für kurze Zeit benutzen dürfen. Nach längerem Springen läuft ein übermüdeter Springer eine Verletzungsgefahr. Wenn eine Person zu lange springt, können die anderen, die darauf warten zu springen, das Interesse verlieren.

Geeignete Kleidung umfasst T-Shirt, Shorts und Turnschuhe oder dicke Socken, oder man kann barfuß springen. Anfänger können auf Wunsch Schutzkleidung tragen wie z.B. langärmelige Hemden und lange Hosen, bis sie das richtige Landen beherrschen. Dadurch verringern sie die Gefahr, dass sie sich beim falschen Landen auf Ellenbogen oder Knien auf dem Trampolin Hautabschürfungen zuziehen. Es dürfen keine Schuhe mit festen Sohlen getragen werden, da diese das Trampolinsprungtuch übermäßig verschleifen.

Das Trampolinsprungtuch befindet sich ziemlich hoch über dem Boden. Wenn man vom Trampolin auf den Boden oder eine andere Oberfläche springt, kann man sich verletzen. Wenn man von einem Dach oder ähnlich hohem Gegenstand auf das Trampolin springt, kann man sich auch verletzen. Kleinkinder benötigen eventuell Hilfe beim Auf- oder Abklettern auf das bzw. vom Trampolin. Das richtige Auf- bzw. Abklettern sollte von Anfang an strikt befolgt werden. Beim Aufklettern auf das Trampolin platziert man die Hände auf den Rahmen, dann tritt oder rollt man auf den Rahmen, über die Federn und auf das Trampolinsprungtuch. Beim Besteigen des bzw. Abklettern vom Trampolin das Rahmenpolster nicht betreten oder ergreifen. Beim Auf- und Absteigen die Hände immer auf dem Rahmen platzieren. Zum Absteigen immer an den Rand des Sprungtuches gehen, nach vorne beugen, eine Hand auf dem Rahmen platzieren und dann vom Trampolin auf den Boden steigen.

Rücksichtsloses Springen ist nicht erlaubt. Alle Fähigkeiten sind bei mäßiger Höhe zu erlernen. Es ist zu betonen, dass Kontrolle wichtiger als Höhe ist. Springern ist es nicht gestattet, allein und ohne Aufsicht zu üben.

ACHTEN SIE AUF FOLGENDES:

Der britische Trampolinverband empfiehlt den Kniefall nicht mehr, da der Springer dabei das Gleichgewicht verlieren, nach vorn federn und mit dem Kopf zuerst vom Trampolin fliegen kann. Es ist auch bekannt, dass das Rückenverletzungen verursacht hat. Nicht vergessen: Wenn Sie einen Kniefall machen, trennen Sie Ihre beiden Körperteile, die zur Kontrolle und Energieabsorption wichtig sind: Ihre Knie und Ihre Fußgelenke.

Es gibt noch viel mehr Trampolinmanöver, die ein noch höheres Niveau an Training und Fähigkeit verlangen und nur von einem qualifizierten Trampolitrainer geschult werden dürfen.

Es wird nicht immer erkannt, dass Saltos und Manöver mit voller Körperdrehung in der Luft sehr gefährlich sein können, wenn sie ohne richtiges Training und Aufsicht versucht werden. Daher empfehlen wir, dass Saltos ohne Aufsicht eines qualifizierten Trampolitrainers nicht versucht werden.

PFLEGE UND WARTUNG DES TRAMPOLINS

ALLGEMEINES

Das Trampolin ist für den ganzjährigen Einsatz im Freien konstruiert und benötigt generell sehr wenig Wartung. Etwas Pflege und Vorbedacht können die Standzeit des Trampolins jedoch um Jahre verlängern. Nicht vergessen: Das Sprungtuch und die Rahmenpolster sind aus synthetischem Material hergestellt und leicht durch Zigarettenkippen, Feuerwerkskörper und Überreste von offenen Feuern beschädigt.

RAHMEN

Nicht auf dem Rahmen oder den Rahmenpolster sitzen oder stehen, wenn das Trampolin benutzt wird, da dadurch sonst die natürliche Federkraft des Rahmens beschränkt wird. Tragen Sie etwas Öl oder Vaseline auf die Federhaken auf, um Quietschen und Lochverschleiß im Rahmen zu verhüten. Rost auf der Oberfläche wird mit einer Stahlbürste oder grobem Sandpapier entfernt und die Stelle dann mit einer ungiftigen Farbe bestrichen.

RAHMENPOLSTER

Die Rahmenpolster schützen den Benutzer beim Stürzen oder wenn er auf den Federn oder dem Rahmen landet. Niemand darf jemals darauf sitzen oder stehen, wenn das Trampolin benutzt wird. Stellen Sie auch sicher, dass kleine Benutzer nicht die Innenkanten der Polster als „Griff“ benutzen, um sich daran auf das Trampolin hochzuziehen.

DAS SPRUNGTUCH

Im Laufe der Jahre wird das Sprungtuch durch ultraviolettes Licht allmählich geschwächt. Daher hält es desto länger, je besser es gegen direktes Sonnenlicht geschützt wird. Etwas Schimmel tut dem Sprungtuch aber keinen Schaden an. Stellen Sie sicher, dass Schuhe vor dem Trampolinspringen ausgezogen und scharfe Gegenstände wie Gürtelschnallen, Broschen und Schmuck vorher entfernt werden.

DIE FEDERN

Nicht auf den Federn stehen, während das Trampolin benutzt wird. Nicht auf die Federn hüpfen. Für solche Belastungen sind sie nicht ausgelegt, sie können sich dabei ausdehnen, verformen und abschwächen. Wenn sich herausstellt, dass Federn gedehnt sind, sind sie so bald wie möglich zu erneuern, um Schaden am Trampolinsprungtuch und eine Überlastung und somit einen Schaden an den verbleibenden guten Federn zu verhüten.

FEUERGEFAHR UND ENTSORGUNG

Spielzeug von der Firma darf nie in der Nähe von Feuer platziert oder benutzt werden. Wenn das Gerät entsorgt werden muss, entfernen Sie zuerst alle Bolzen und demontieren Sie es. Bewahren Sie es so auf, dass Kinder es nicht erreichen können, bis es richtig entsorgt werden kann.

UNFALLVERHÜTUNGSARTEN

DIE ROLLE DES SPRINGERS BEI DER UNFALLVERHÜTUNG

Es ist sehr wichtig für die Sicherheit, dass der Benutzer darüber aufgeklärt wird. Ein Benutzer muss zuerst lernen, wie man ein kontrolliertes Springen sowie die grundlegenden Landepositionen und Kombinationen durchführt, bevor er ein höheres Fähigkeitsniveau erreicht. Springer müssen verstehen, warum sie zuerst die „Kontrolle“ beherrschen müssen, bevor sie sich über andere Manöver Gedanken machen. Die erste Unterrichtsstunde ist das Verständnis der richtigen Entwicklung von Fähigkeiten beim Trampolinspringen.

DIE ROLLE DES AUFSEHERS BEI DER UNFALLVERHÜTUNG

Der Aufseher ist für die sachkundige und wohlüberlegte Aufsicht der Trampolinspringer verantwortlich. Er muss alle Regeln und Warnungen dieses Handbuchs kennen und durchführen, um die Unfall- und Verletzungsgefahren zu vermindern, und die Benutzer über diese Regeln in Kenntnis setzen. Wenn keine Aufsicht verfügbar ist oder wenn sie nicht ausreicht, ist es eventuell nötig, das Trampolin zu demontieren, in einen sicheren Bereich zu bringen oder sonstwie gegen unbefugten Gebrauch abzusichern. Der Beaufsichtigende muss sicherstellen, dass Benutzer die Sicherheitsrichtlinien kennen, die auf den Polstern abgedruckt sind.

Diese Anleitungen sind zur Sicherheit von Kindern angegeben, und wir möchten Sie bitten, diese unsere Ratschläge zu befolgen.

IMPORTANTE! ANTES DE COMEÇAR, LEIA ESTE MANUAL

Agradecemos-lhe a sua compra deste trampolim. O trampolim foi concebido e fabricado para lhe proporcionar a si e à sua família muitos anos de divertimento e exercício mas, **para seu benefício e segurança, leia atentamente todo o manual antes de montar e usar o trampolim.** Guarde-o depois para referência futura.

ATENÇÃO!



Não cair sobre a cabeça ou o pescoço. O resultado poderá ser paralisia ou morte, mesmo se cair a meio da base do trampolim.

Para reduzir as hipóteses de cair sobre a cabeça ou o pescoço, não dar cambalhotas (flips).

Só deverá haver uma pessoa de cada vez no trampolim.



Mais do que uma pessoa a saltar aumentará a probabilidade de perda de controlo, colisão e queda para fora do trampolim.

Isso poderá resultar em fractura do crânio, do pescoço, da coluna ou de uma perna.

NÃO SE ESQUEÇA:

Os trampolins são aparelhos de salto que **lançam** o utilizador para alturas a que **não está** acostumado e para toda uma variedade de movimentos do corpo. A projecção do utilizador para fora do trampolim, o impacto contra a armação ou contra as molas, ou uma queda incorrecta na base do trampolim poderão dar origem a lesões.

O uso incorrecto ou o abuso do trampolim é perigoso e pode originar lesões graves.

Examinar o trampolim antes de cada utilização e substituir todas as peças que estejam gastas, defeituosas ou em falta.

Todos os compradores e todas as pessoas que utilizem o trampolim devem familiarizar-se com as recomendações do fabricante para a montagem, utilização e manutenção correctas do mesmo. Cada utilizador deverá também manter-se atento às suas próprias limitações na execução dos exercícios no trampolim. **Este manual do utilizador inclui instruções para a montagem, precauções seleccionadas, técnicas de instrução e progressão recomendadas bem como sugestões de cuidados e manutenção do trampolim com vista a promover a utilização segura e agradável deste equipamento. Leia-o na totalidade.**

É da **responsabilidade** do proprietário ou da pessoa que esteja a vigiar o trampolim **assegurar** que todos os utilizadores são adequadamente informados de todos os avisos e instruções de segurança. **Não esqueça: a utilização do trampolim expõe-o ao risco de lesão grave, incluindo paralisia permanente ou até morte, se cair sobre o pescoço ou a cabeça.**

Este risco existe, até mesmo se cair na base do trampolim.

INSTRUÇÕES PARA A MONTAGEM, MANUTENÇÃO E UTILIZAÇÃO DE TRAMPOLINS

O SEU NOVO TRAMPOLIM

INFORMAÇÃO PARA A MONTAGEM

Os trampolins têm de ser montados por um adulto. Têm de ser montados seguindo exactamente as instruções de montagem que se seguem. A ajuda de uma segunda pessoa facilitará a montagem. Não são necessárias ferramentas para a montagem. A embalagem pode conter peças pequenas e não é adequada para crianças com idade inferior a 36 meses até a montagem estar terminada. Faça um inventário de todas as peças antes da montagem e certifique-se de que todas as peças indicadas se encontram na embalagem.

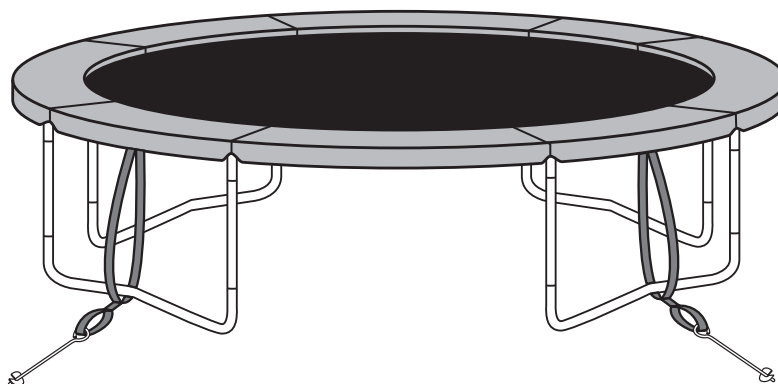
Durante a montagem, mantenha-se também atento ao facto de que o processo de fabricação pode às vezes resultar numa ou outra aresta aguçada e em pequenos resíduos de metal. É recomendada a utilização de luvas para proteger as mãos durante a montagem. Na eventualidade de faltarem algumas peças, o brinquedo não deverá ser usado até serem montadas as peças de substituição. Peças sobressalentes: +44 (0)1299 872804

LOCALIZAÇÃO

O trampolim deve ser sempre usado numa área bem iluminada. Em nenhuma circunstância deverá o trampolim ser colocado sobre uma superfície dura como cimento ou asfalto, a não ser que o chão por baixo do trampolim e no espaço livre em volta seja coberto com uma superfície de segurança (consultar o diagrama da página 37). São exemplo de superfícies adequadas: a relva, a areia, ou uma superfície para brincar destinada ao efeito. O trampolim tem de ser colocado sobre uma superfície plana. É necessário um mínimo de 7,32 m de altura livre por cima deste produto. No plano horizontal, deverá ser mantido um espaço livre adequado relativamente a outros objectos e possíveis perigos como fios eléctricos, ramos de árvore e vedações.

VENTOS FORTES

O trampolim pode ser levantado por vento forte. Caso exista uma previsão de ventos fortes, o trampolim deverá ser deslocado para um local abrigado ou deverá ser desmontado, ou então a parte circular exterior (armação superior) deverá ser amarrada ao chão por meio de cordas e estacas. Deverão ser usados pelo menos três pontos de fixação. Não fixar apenas os pés do trampolim ao chão, visto que eles podem destacar-se dos encaixes da armação.



Amarração de quatro pontos por meio de corda e estacas.

DIRECTRIZES GERAIS DE SEGURANÇA

UTILIZAÇÃO

Este trampolim foi concebido e fabricado apenas para utilização familiar doméstica ao ar livre. O trampolim foi concebido para ser usado por uma criança de cada vez, com um peso inferior a 100 kg. O trampolim não se destina a utilização que não cumpra estas directrizes. O utilizador deverá estar descalço, de meias, ou usar sapatos de ginástica. O uso indevido poderá resultar em lesão. Examinar o trampolim antes de cada utilização e substituir sempre todas as peças que estejam gastas, defeituosas ou em falta. As placas almofadadas deverão estar sempre montadas.

VIGILÂNCIA

As crianças deverão ser sempre vigiadas quando brincam em trampolins e deverão ter instruções para não usar o trampolim de forma inadequada ou perigosa. Recomendamos que não usem roupas largas ou artigos de bijutaria que possam prender em qualquer lado ou partir durante o exercício. Assegurar que não há crianças mais novas a andar ou gatinhar por baixo do trampolim e manter sempre a área em volta e por baixo livre de quaisquer objectos sólidos.

CONDIÇÕES METEOROLÓGICAS

Deve ser mantida uma atenção especial à alteração das condições meteorológicas. Especificamente, uma base de trampolim molhada é demasiado escorregadia para permitir saltos seguros. Ventos fortes ou de rajada podem fazer com que os utilizadores se descontrolem. Para reduzir as hipóteses de lesão, usar o trampolim apenas em condições meteorológicas apropriadas. Em tempo frio, a língua e os lábios podem colar ao metal em temperaturas abaixo de zero. Em tempo quente e soalheiro, as peças podem aquecer e deve verificar-se regularmente a temperatura durante a brincadeira, especialmente das peças metálicas.

BRINCAR COM ÁGUA

Muitas superfícies podem ficar escorregadias durante a brincadeira com água. São necessários um cuidado e uma vigilância redobrados quando é combinada a água (por ex. piscinas de borracha, escorregas aquáticos, etc.) com outras formas de brincadeira ao ar livre.

UTILIZAÇÃO DO TRAMPOLIM – INFORMAÇÃO DE SEGURANÇA IMPORTANTE

ANTES DE COMEÇAR, NÃO ESQUEÇA

1. Os trampolins são aparelhos de salto que lançam o utilizador para alturas a que **não está acostumado** e para toda uma variedade de movimentos corporais. A projecção do utilizador para fora do trampolim, o impacto contra a armação ou contra as molas, ou uma queda incorrecta na base do trampolim poderão dar origem a lesões.
2. Todos os compradores e todas as pessoas que utilizem o trampolim devem familiarizar-se com as recomendações do fabricante para a montagem, utilização e manutenção correctas do mesmo. Cada utilizador deverá também manter-se atento às suas próprias limitações na execução dos exercícios no trampolim. Este manual do utilizador inclui instruções para a montagem, precauções seleccionadas e sugestões de cuidados e manutenção do trampolim com vista a promover a utilização segura e aprazível deste equipamento.
3. É da **responsabilidade** do proprietário assegurar que todos os utilizadores do trampolim se encontram adequadamente informados de todos os avisos e instruções de segurança.
4. **Nunca permitir que haja mais do que uma (1) pessoa no trampolim de cada vez.** A presença de mais do que um utilizador aumenta a possibilidade de alguém se lesionar. Os utilizadores podem colidir uns com os outros, cair para fora do trampolim, cair sobre as molas ou por entre as mesmas ou cair de forma incorrecta sobre a base.
5. Poderão ocorrer lesões se o utilizador bater na armação ou cair por entre as molas ao saltar ou ao entrar ou sair do trampolim. Manter-se ao centro da base do trampolim ao saltar. **CERTIFICAR-SE DE QUE AS PLACAS ALMOFADADAS DA ARMAÇÃO SE ENCONTRAM SEMPRE A COBRIR A MESMA.** As placas almofadadas não foram concebidas para suportar o peso do utilizador do trampolim nem se destinam a esse efeito. Não pisar nem saltar directamente sobre as placas almofadadas da armação.
6. Assegurar **sempre** que o trampolim não pode ser usado sem autorização ou vigilância

SALTAR

1. **Saltar sempre no centro da base.** Saltar perto da beira da base pode originar lesões e pode também distender as molas. As placas almofadadas não foram concebidas para suportar o peso do utilizador do trampolim nem se destinam a esse efeito. Não pisar nem saltar directamente sobre as placas almofadadas da armação.
2. **Evitar saltar demasiado alto.** Manter uma altura baixa até conseguir controlar o salto e cair repetidamente a meio da base.
3. **Aprender as técnicas básicas de salto e posicionamento do corpo antes de tentar competências mais avançadas.** Tentar uma manobra que esteja para além dos níveis de competência actuais aumentará as probabilidades de perder o controlo. Um salto controlado é aquele em que o ponto de aterragem é o mesmo do levantamento para o salto. Antes de aprender uma manobra mais difícil, a manobra anterior deverá ser repetidamente executada com controlo.
4. **Não tentar dar cambalhotas sem uma instrução e uma vigilância adequadas.** A queda sobre a cabeça ou o pescoço, até mesmo a meio da base do trampolim, aumenta o risco de fractura do pescoço, que pode resultar em paralisia ou morte.
5. **Para retomar o controlo e parar o salto, dobrar bem os joelhos ao cair.**
6. **Não saltar durante demasiado tempo ou quando cansado.**
7. **Não usar o trampolim sob a influência de álcool ou drogas.**

INTRODUÇÃO À PRÁTICA DO TRAMPOLIM - COMPETÊNCIAS BÁSICAS

Os primeiros períodos de prática de trampolim devem centrar-se na aprendizagem das **posições fundamentais do corpo** e na prática dos **saltos básicos** descritos nas páginas seguintes deste manual.

Durante este período de aprendizagem, os utilizadores devem **praticar estas técnicas básicas e aperfeiçoá-las**. Deverá ensinar-se primeiro como **travar o salto** e isto deverá ser acentuado como medida de segurança. Os praticantes devem travar o salto sempre que comecem a perder o equilíbrio ou o controlo. Isto é feito simplesmente **dobrando bem os joelhos** ao cair e absorvendo o impulso ascendente da base. Isto permite que o praticante pare de repente para evitar perder o controlo.

Na prática do trampolim, **o ponto de levantamento para salto e o ponto de aterragem de um bom salto controlado deve ser o mesmo**. Um exercício é considerado como aprendido apenas quando o praticante é capaz de o executar repetidamente de forma correcta. Os praticantes nunca devem passar a um exercício mais avançado antes de poderem executar repetidamente e de forma correcta todas as técnicas anteriores. Veja mais adiante a informação para como marcar o centro da base com uma área alvo.

Permitir a cada praticante um **período breve de saltos no trampolim**. Saltar por períodos prolongados expõe um utilizador cansado a um maior risco de lesão. Deixar que um utilizador salte mais tempo fará também com que aqueles que estão à espera de saltar percam o interesse.

O **vestuário** deverá consistir numa T-shirt, calções e sapatos de ginástica, meias grossas, ou os utilizadores poderão estar descalços. Os **principiantes** poderão optar por vestuário protector como uma **camisola de manga comprida e calças** até terem aprendido a cair correctamente. Isto reduzirá a probabilidade de queimaduras de fricção resultantes de quedas incorrectas sobre os joelhos e os cotovelos. Não deverão ser usados sapatos de sola visto poderem causar um desgaste excessivo da base do trampolim.

A base do trampolim encontra-se a uma altura considerável em relação ao solo. Saltar do trampolim para o chão ou para qualquer outra superfície poderá resultar em lesão. Saltar para o trampolim a partir de um telhado, de uma plataforma ou de outro objecto coloca também o risco de lesão. As crianças mais pequenas poderão necessitar de ajuda para subir ou descer do trampolim. **Entrar e sair correctamente do trampolim** deverá ser uma regra rigorosa desde o início. Os utilizadores devem subir para o trampolim colocando as mãos sobre a armação e erguendo ou rolando o corpo sobre a armação e as molas, para a base. Não pisar directamente nem agarrar as placas almofadadas ao subir ou descer do trampolim. Os utilizadores devem colocar sempre as mãos sobre a armação ao subir ou descer. Para sair, os utilizadores devem caminhar até à beira da base, inclinar-se e colocar uma mão sobre a armação, descendo depois da base para o chão.

Não devem ser permitidos saltos **irresponsáveis**. Todas as competências devem ser aprendidas a **alturas moderadas**. Deverá acentuar-se o controlo e não a altura. Os utilizadores devem ser **proibidos de saltar sozinhos** e sem vigilância.

ATENÇÃO

A queda sobre os joelhos ("knee drop") deixou de ser recomendada pela Federação Britânica de Trampolim por poder levar o praticante a perder o controlo, cair para a frente e sair de cabeça para fora do trampolim. Sabe-se também que pode causar lesões na coluna. Não esquecer que, numa queda sobre os joelhos, o praticante está, de facto, a isolar dois dos pontos vitais do corpo para controlo e absorção de energia: os joelhos e os tornozelos.

Há muitos outros movimentos da prática de trampolim que requerem um nível de competência e treino mais elevado e devem ser ensinados por um treinador de trampolim qualificado.

As pessoas nem sempre se dão conta de que as cambalhotas e os movimentos que envolvem rotação completa no ar são potencialmente muito perigosos se tentados sem um treino e uma vigilância adequados. Por esta razão, recomendamos que não sejam tentadas cambalhotas a não ser sob a vigilância de um treinador de trampolim devidamente qualificado.

CUIDADOS E MANUTENÇÃO DO SEU TRAMPOLIM

GENERALIDADES

O trampolim foi concebido para ficar todo o ano ao ar livre e, de uma maneira geral, requer pouca manutenção. No entanto, um pouco de atenção e previdência poderão acrescentar anos à duração do trampolim. Não esquecer que a base e as placas almofadadas da armação são feitas de material sintético e podem ser facilmente danificadas por pontas de cigarro, foguetes e fálhas.

ARMAÇÃO

Não sentar nem permanecer de pé sobre a armação ou as placas almofadadas quando o trampolim está a ser usado já que isto limita a acção reflexa natural da armação. A aplicação de óleo ou vaselina nos pontos em que as molas prendem à armação reduzirá a chiadeira e o desgaste dos orifícios. Na eventualidade de aparecimento de ferrugem superficial, ela deverá ser eliminada com uma escova de arame ou uma lixa grossa e a área deverá ser tratada com uma tinta não tóxica.

PLACAS ALMOFADADAS DA ARMAÇÃO

As placas almofadadas existem para proteger o utilizador na eventualidade de uma queda sobre as molas e a armação. Em nenhuma circunstância se deverá permitir que alguém se sente ou permaneça de pé sobre elas quando o trampolim está a ser usado. É igualmente necessário assegurar que os utilizadores mais novos não usam as beiras interiores das placas como "pega" para subir para o trampolim.

A BASE

Com os anos, a base será gradualmente enfraquecida pelos efeitos da radiação ultravioleta. Por conseguinte, quanto mais ela for protegida da luz solar directa, mais durará. O aparecimento de algumas manchas de bolor não danificará a base. Assegurar que os utilizadores tiram os sapatos antes de saltar e que quaisquer outros objectos aguçados como fivelas de cintos, broches e bijutaria são também tirados.

AS MOLAS

Não permanecer de pé sobre as molas quando o trampolim estiver a ser usado. Tentar não saltar para cima das molas. Elas não foram concebidas para suportar este tipo de tensão e podem distender, perder a forma e enfraquecer. Caso detecte quaisquer molas distendidas, é importante substituí-las assim que possível para evitar danificar a base do trampolim e evitar sobrecarregar e, portanto, danificar as restantes molas que estejam boas.

RISCOS DE INCÊNDIO E ELIMINAÇÃO

Nunca permitir a colocação ou a utilização de brinquedos perto de uma fogueira. Quando se tornar necessário eliminar o equipamento, retirar todos os parafusos e desmontá-lo. Guardar fora do alcance das crianças até que ele possa ser devidamente eliminado.

MÉTODOS DE PREVENÇÃO DE ACIDENTES

O PAPEL DO UTILIZADOR NA PREVENÇÃO DE ACIDENTES

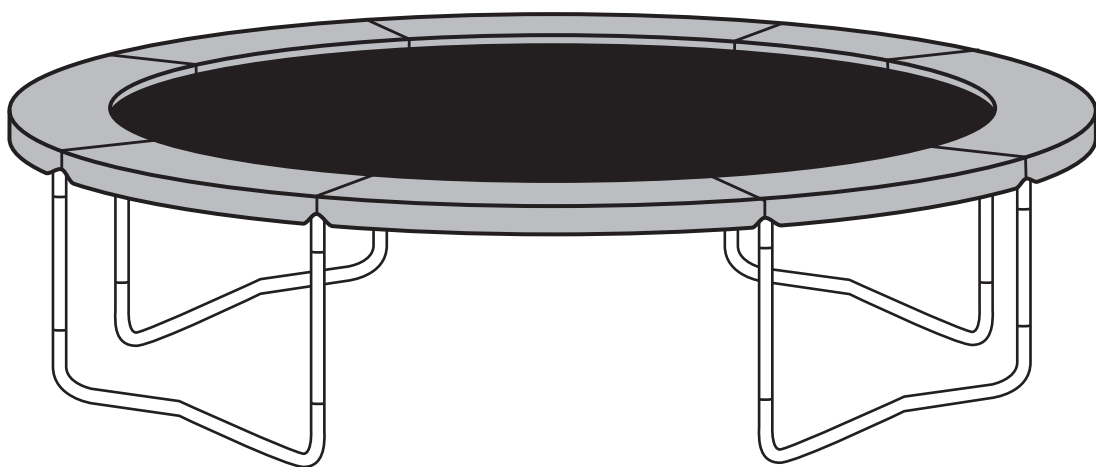
A educação do utilizador é uma condição indispensável para a segurança. Os utilizadores têm de aprender primeiro um salto baixo controlado e as posições de aterragem e combinações básicas antes de passarem a competências de nível intermédio. Os utilizadores têm de compreender por que razão necessitam de dominar o "controlo" antes de poderem começar a pensar noutros movimentos. A primeira lição de saltos em trampolim tem de ser a compreensão da progressão correcta no nível de competências.

O PAPEL DO VIGILANTE NA PREVENÇÃO DE ACIDENTES

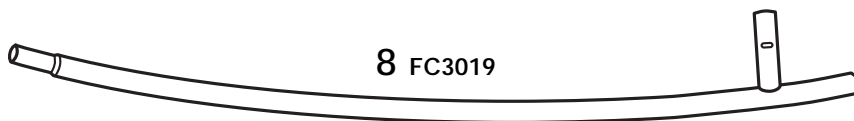
É da responsabilidade das pessoas que se encontrem a vigiar os utilizadores do trampolim oferecer uma vigilância informada e responsável. Os vigilantes precisam de conhecer e implementar todas as regras e advertências apresentadas neste manual para minimizar a probabilidade de acidentes e lesões e para informar os utilizadores sobre as mesmas. Durante períodos em que a vigilância seja inexistente ou inadequada, isto poderá exigir que o trampolim seja desmontado. Colocado em local inacessível ou de outra forma protegido contra utilização não autorizada. É da responsabilidade do vigilante assegurar que os utilizadores se encontram bem informados das directrizes de segurança impressas nas placas almofadadas.

Estas instruções são publicadas no interesse da segurança da criança e pedimos a sua colaboração para o seguimento das nossas recomendações.

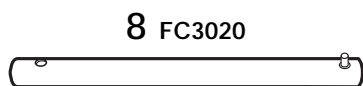
1



4 FC3018

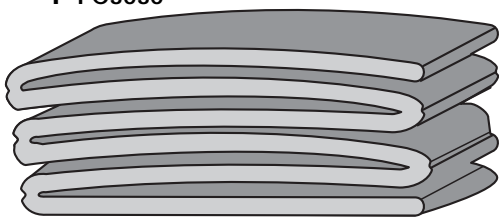


8 FC3019

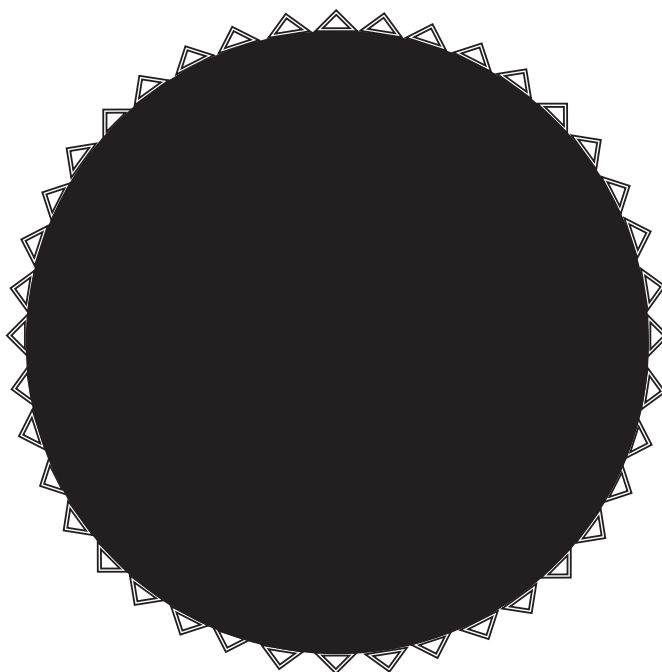
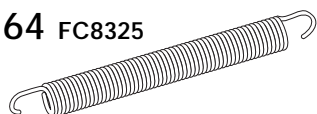


8 FC3020

1 FC3030



64 FC8325



1 FC3021

Contents - Please check

Contenu - Veuillez Vérifier

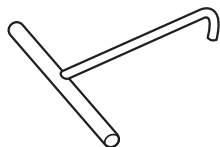
Siete Pregati di Controllare il Contenuto

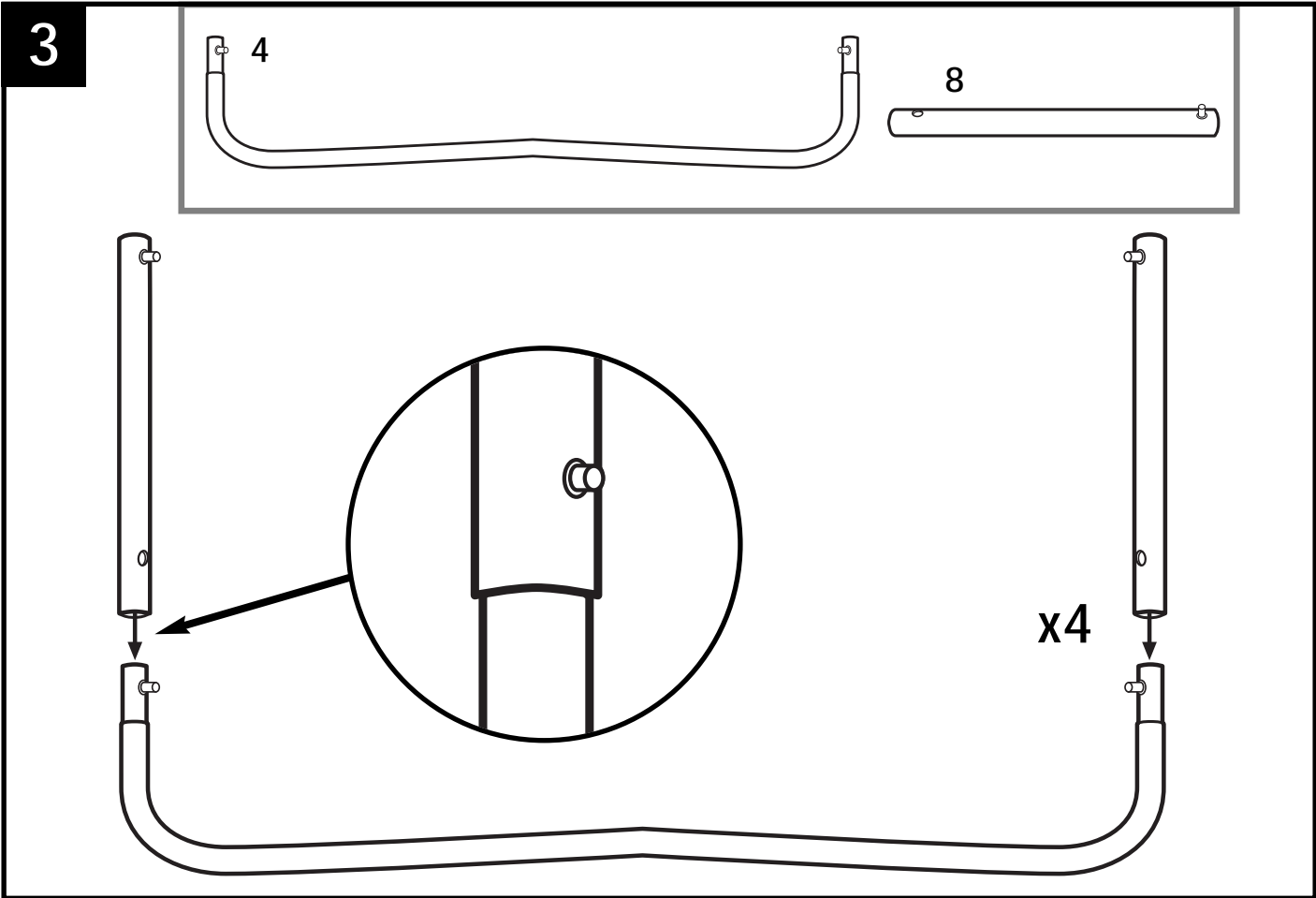
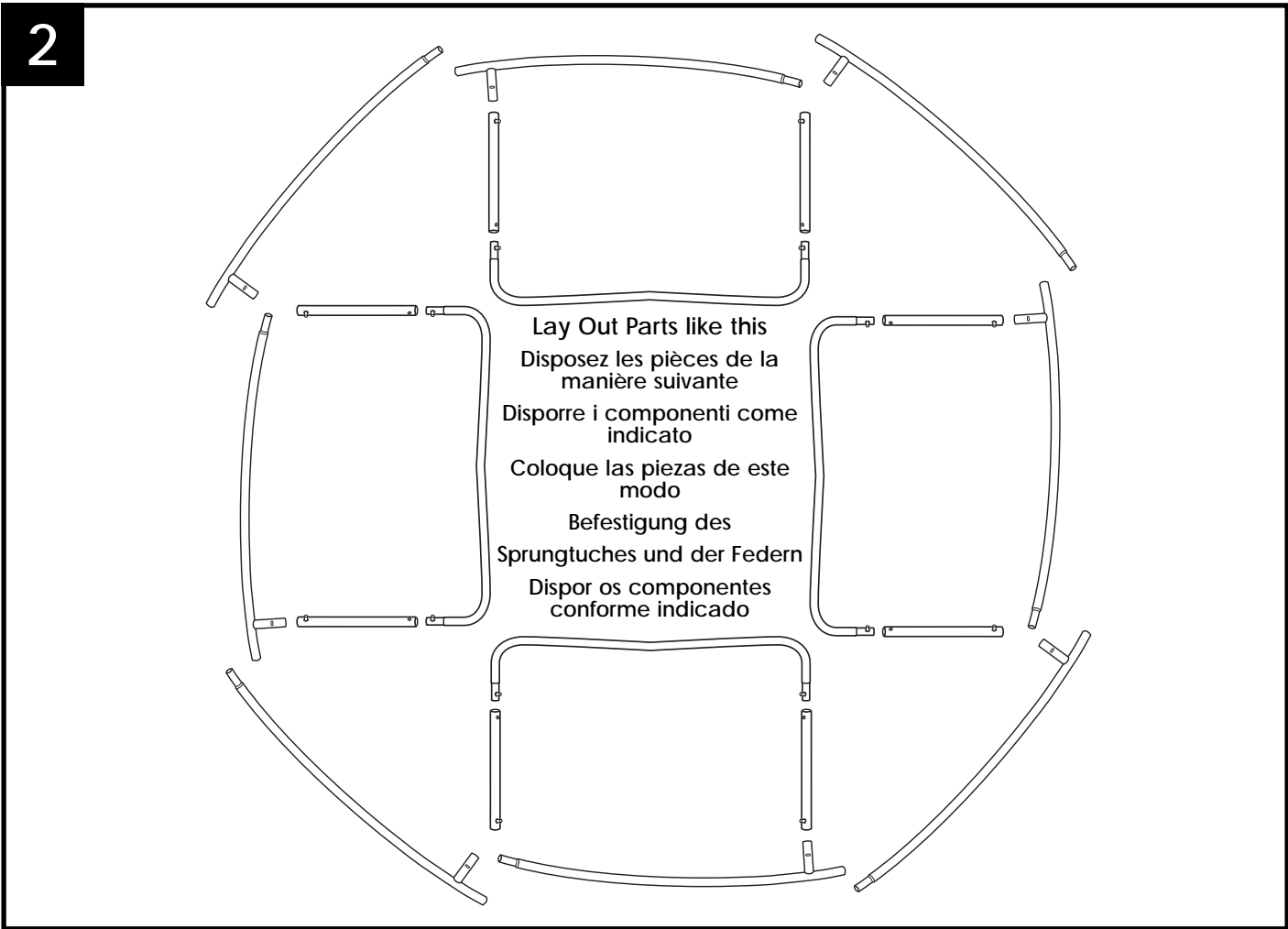
Verifique El Contenido

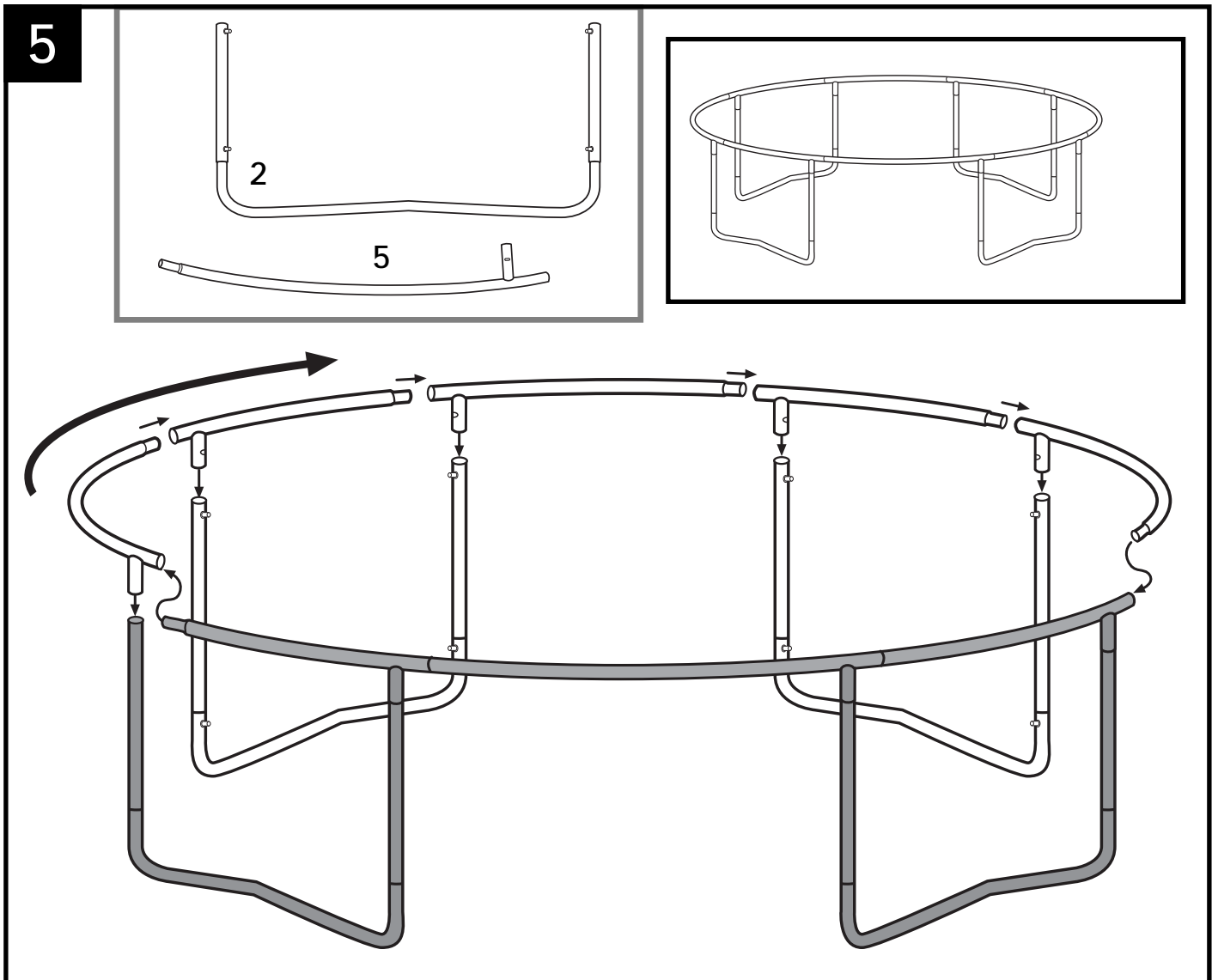
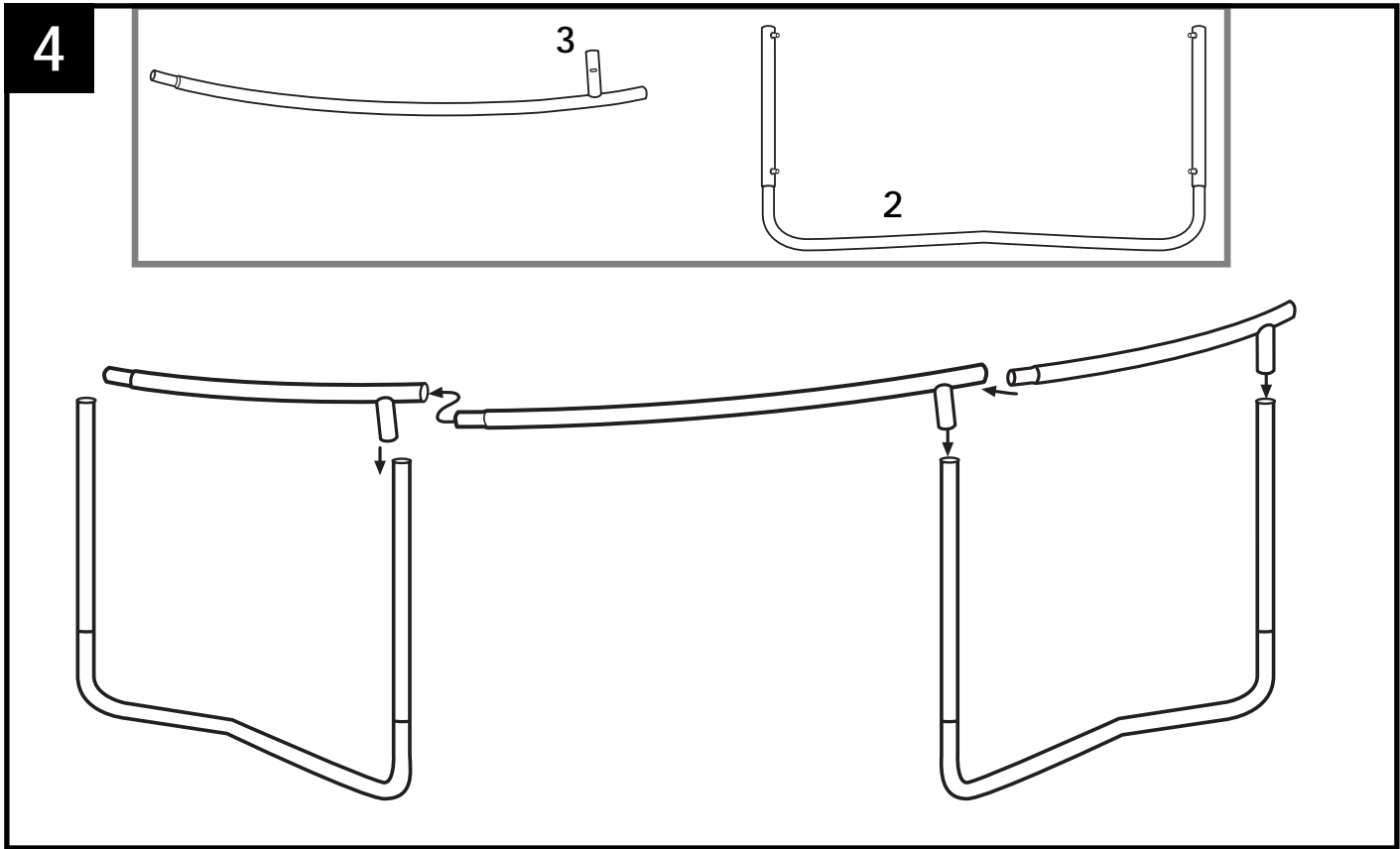
Inhalt - Bitte Überprüfen

Conteúdo - Verifique

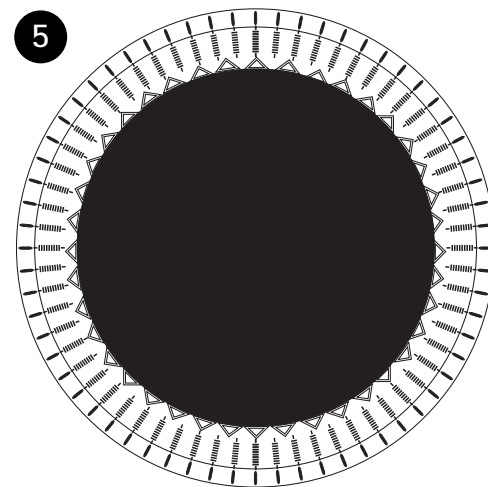
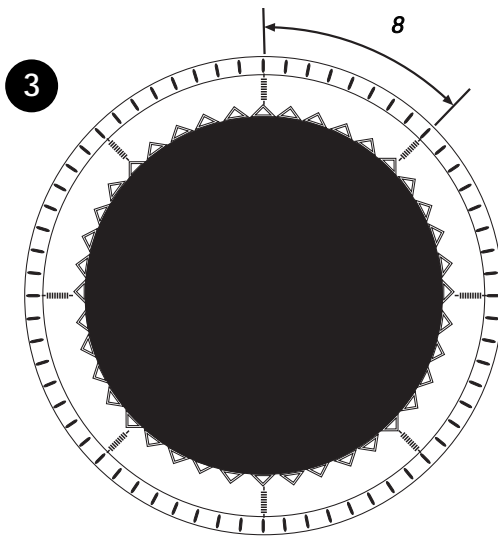
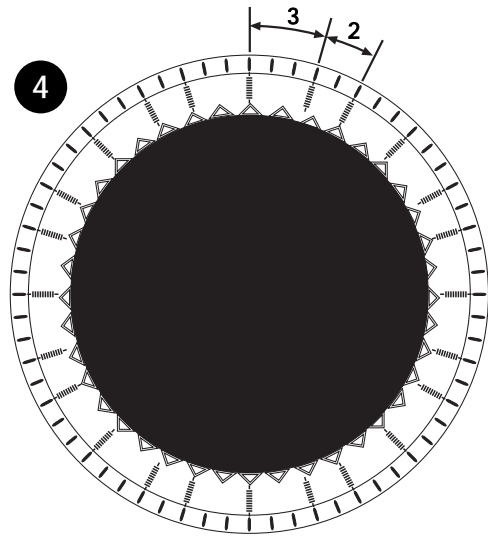
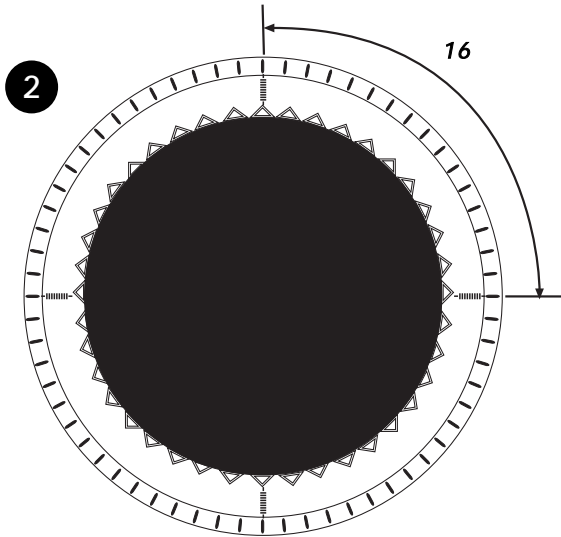
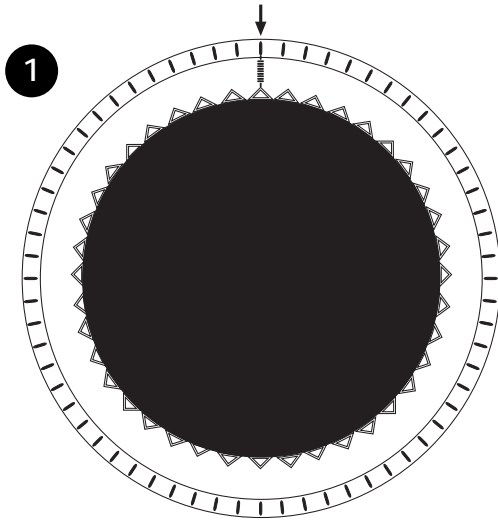
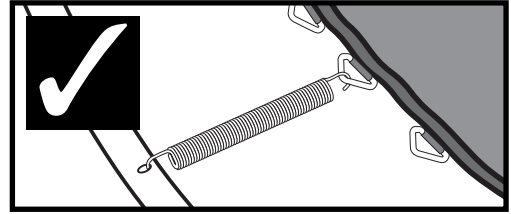
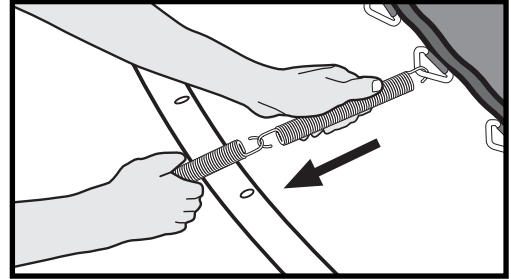
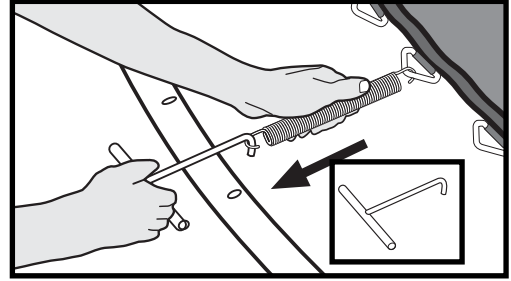
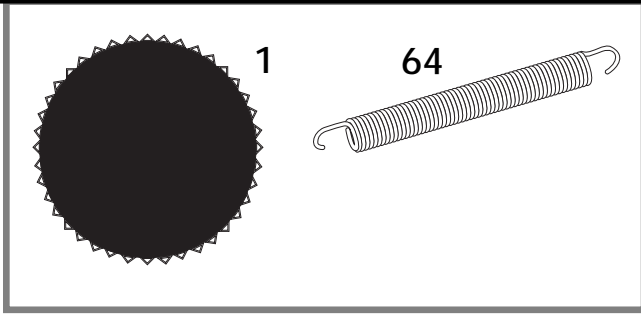
You will need:
 Vous aurez besoin de:
 Avrete bisogno:
 Precisarà:
 Sie brauchen:
 Necesitará de:



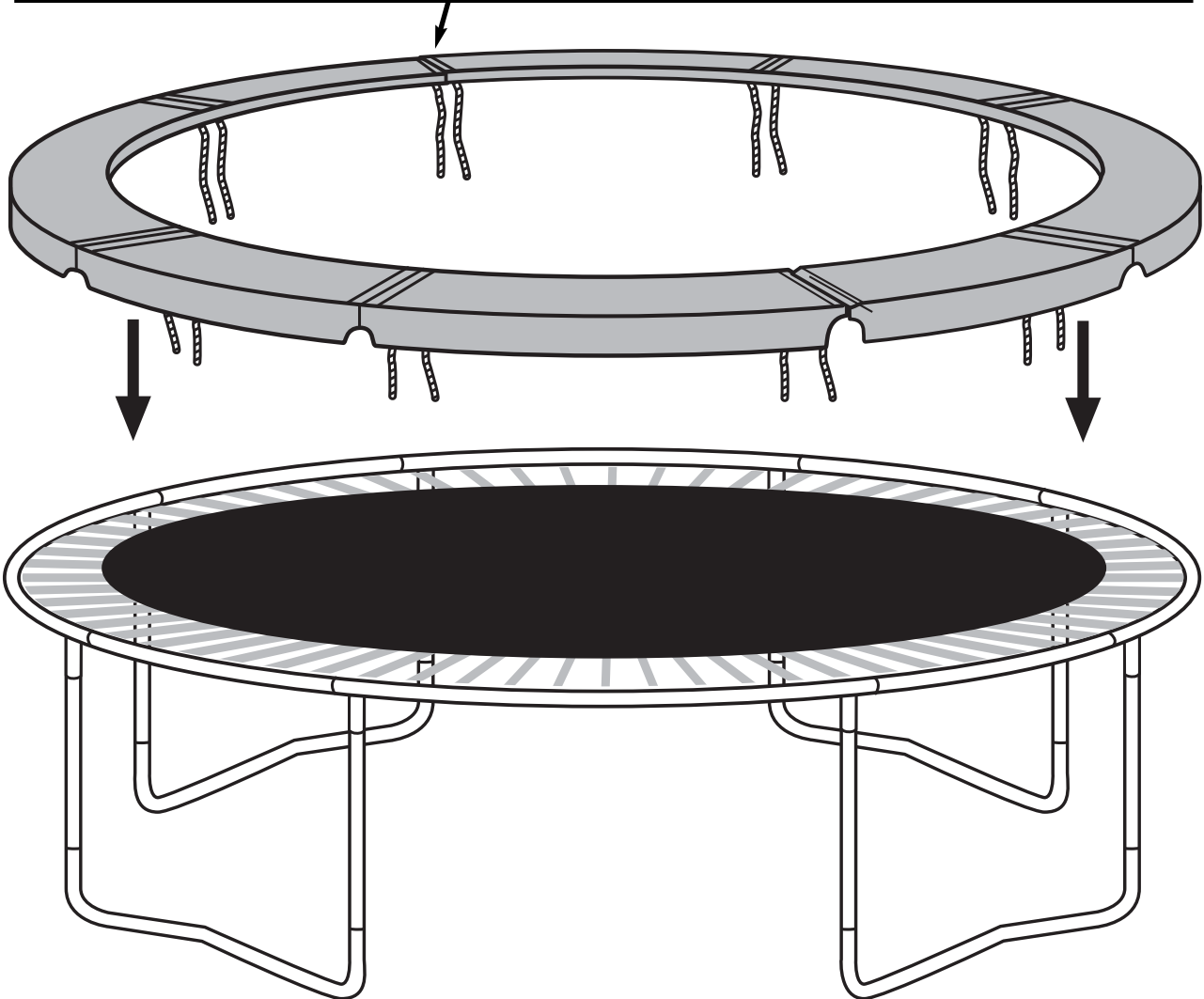
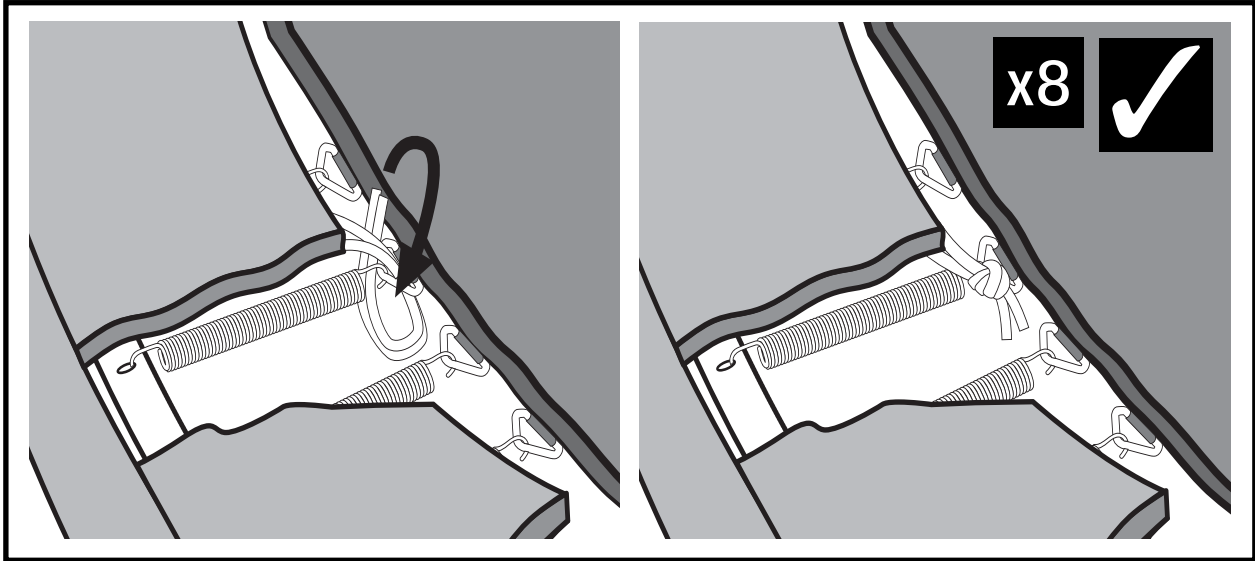
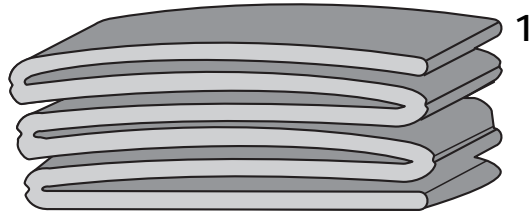


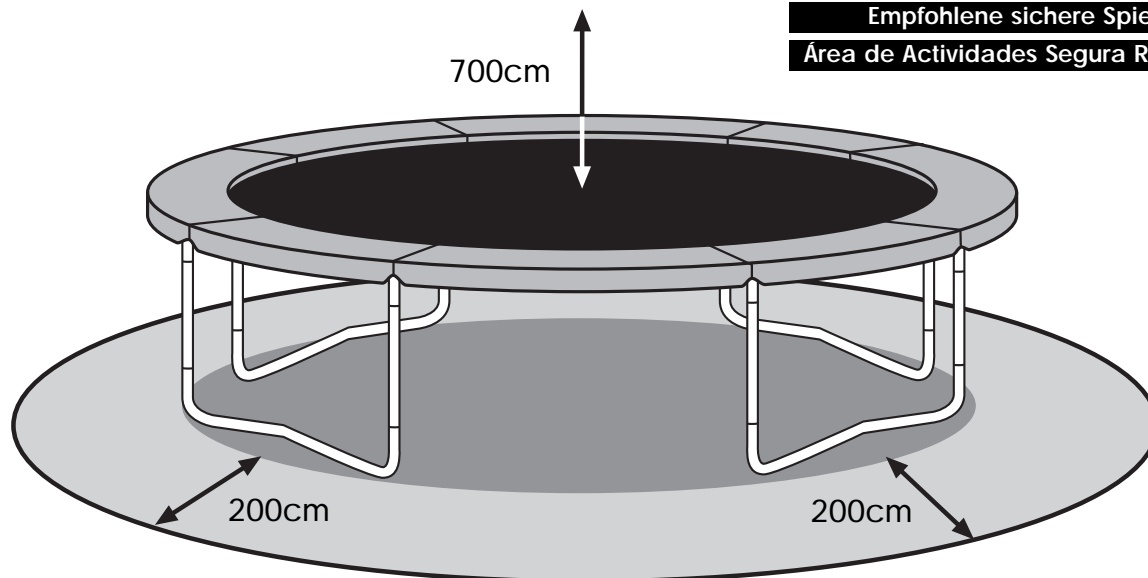


6



7



**Recommended safe play area:**

Aire de sécurité recommandée:

Area di gioco sicura raccomandata:

Área Segura de Juego recomendada:

Empfohlene sichere Spielfläche:

Área de Actividades Segura Recomendada

Recommended Free Space:

The Safe Play Area refers to the zone extending 200cm (2 metres) beyond the toy on all sides and 700cm (7 metres) above the toy. The Safe Play Area must be free from all structures, landscaping, trees and branches, rocks, wires, sprinkler heads and other similar obstacles to safe play. Children can be seriously injured running or colliding into such obstacles.

Aire de sécurité recommandée:

L'aire de sécurité se réfère à la zone située dans un rayon de 2 m tout autour du jeu, y compris l'espace situé au-dessus de ce dernier. L'ajout d'accessoires est susceptible d'étendre cette aire de sécurité. La surface au sol doit être bien plane. Installé sur un terrain en pente, ce jeu pourra pencher ou s'endommager. Les composants seront alors soumis à des tensions plus importantes, ce qui risque de diminuer leur durée de vie. L'aire de sécurité ne doit pas comporter de structures, aménagements paysagers, arbres et branches, pierres, câbles, têtes d'arrosage ou autres obstacles susceptibles d'empêcher les enfants de jouer en toute sécurité. Les enfants pourraient heurter ces obstacles en courant ou en se balançant et ainsi se blesser grièvement.

Area di gioco sicura raccomandata:

L'Area di giuoco sicura si riferisce alla zona che si estende per 2 m su tutti i lati oltre l'insieme da gioco, incluso lo spazio al di sopra dell'apparato. Gli accessori aggiuntivi possono estendere le dimensioni dell'Area di gioco sicura. La superficie del terreno deve essere in pari. Installando l'insieme da gioco sul terreno in pendenza, può inclinarsi o 'stirarsi'. Ciò sottoporrebbe tutti i componenti a sforzo addizionale, e potrebbe comprometterne la durata. L'Area di gioco sicura deve essere libera da strutture, variazioni del terreno, alberi e rami, pietre, fili metallici, testine per annaffiare e tutto quanto esporrebbe a rischio la sicurezza del gioco. Correndo contro questi ostacoli, o urtandovi durante l'oscillazione, i bambini potrebbero ferirsi seriamente.

Área Segura de Juego recomendada:

El Área Segura de Juego se refiere a la zona que se extiende hasta 2m desde los juegos todo alrededor, incluyendo el espacio encima del aparato. Accesorios adicionales pueden aumentar el tamaño del Área Segura de Juego. La superficie del suelo debe ser uniforme. Si instala sus juegos sobre un terreno con declive, har- que se inclinen o se "arruinen". Esto coloca tensión adicional sobre todos los componentes y puede acortar su vida útil. El Área Segura de Juego debe estar libre de todo tipo de estructuras, arquitectura paisajista, árboles y ramas, rocas, cables, boquillas de aspersores y cualquier otro elemento que pueda obstaculizar el juego seguro.

Los niños pueden herirse gravemente con estos obstáculos al correr o columpiarse.

Empfohlene sichere Spielfläche:

Die sichere Spielfläche erstreckt sich an allen Seiten 2 m über das Spielgerät hinaus, einschließlich Raum über dem Gerät. Zubehör kann die sichere Spielfläche erweitern. Der Boden muss eben sein. Wenn Sie das Spielgerät auf einem Hang installieren, kann es sich lehnen oder verziehen. Dadurch werden alle Teile zusätzlicher Last ausgesetzt, was zu verkürzter Lebensdauer führen kann. Im sicheren Spielraum darf sich nichts befinden, das sicheres Spielen behindern könnte wie z.B. Aufbauten, Gärten, Bäume oder Büsche, Steine, Draht, Rasensprinkler oder ähnliches. Wenn Kinder in solche Hindernisse hineinlaufen oder -schaukeln, können sie sich schwer verletzen.

Área de Actividades Segura Recomendada:

A Área de Actividades Segura Recomendada refere-se à zona que se estende por 2 m em todas as direcções à volta dos elementos de diversão, incluindo o espaço acima dos mesmos. Para que a Área de Actividades seja segura, não deverá haver outras estruturas, áreas ajardinadas, árvores e ramos, rochas, fios, aspersores ou outros obstáculos semelhantes à superfície. As crianças poderão sofrer graves ferimentos pessoais se, ao correrem ou baloiçarem, caírem de encontro a estes elementos.

**Register your new TP product on-line now at
www.tptoys.com/productregistration**

For a chance to win £200 of TP products in our next quarterly on-line guarantee registration draw.
Immediate access to TP products updates and offers.

TERMS AND CONDITIONS

Each quarter one prize of £200 worth of TP products will be won. Your on-line purchase registration will be entered in the next available quarterly draw only. Postal registrations will not be included. No cash alternative is available in any circumstances.

Open to all TP purchasers who are aged over 18 years who register their new TP product on-line except employees of TP Activity Toys. The winners will be notified in writing within four weeks of the draw. No correspondence will be entered into. A list of winners is available on request 6 weeks after every draw by contacting TP at the address given below. TP Activity Toys reserve the right to alter, amend, or otherwise change the terms of the Prize Draws in the interest of the consumer without prior notification. This promotion is being run by TP Activity Toys (Tube Plastics Ltd), Severn Road, Stourport on Severn, Worcestershire DY13 9EX

Alternatively, complete the form opposite and place in an envelope addressed to TP Activity Toys, Severn Road, Stourport on Severn, DY13 9EX England. Please remember a stamp. Remember however, that you must register on-line to enter our prize draw.

Data Protection

TP will not pass your personal information to anyone else. If you would like to receive information on TP please tick the appropriate box.

- by email
- by post

Product Registration Form

Mr. Mrs Miss Ms

First name:..... Surname:

E-mail:

Address:

.....Postcode:

Tel:

Product(s) purchased..... TP Product no. No of children:

..... TP Dates of birth:

..... TP

..... TP

..... TP

..... TP

Name of retailer:.....Date of Purchase:

