

One Year Guarantee

Thank you for purchasing one of our quality products. It carries a **One Year Guarantee** against any defect in materials or workmanship.

TP guarantee to you the original retail purchaser that your new activity toy will be free from defect in the material and workmanship for one year from the date of purchase.

In the unlikely event of a defect appearing within one year, TP will repair or replace your toy free of charge.

This Guarantee does not apply to any part if damage has been caused by abuse, vandalism, misuse, accident or non-maintenance.

To be covered by the **One Year Guarantee** it is essential that you complete and return one **Guarantee Registration**, listing all products purchased.

As an additional bonus if you register online, you will then automatically be entered into the **Quarterly Prize Draw**.

This helps us to monitor and maintain our performance as market leaders in the design and manufacture of outdoor play and associated products. It also helps us to communicate quickly with you should the need arise and keep you up to date with the developments in our range.

"This guarantee does not affect your legal rights."

Claim Procedure

Should a claim be necessary please write to our Customer Services Department, TP Activity Toys Ltd., Stourport-on-Severn, Worcestershire, DY13 9EX, England.

We would require the following information and we recommend that you complete some of these details now:

- Your name, address and daytime/evening telephone number.**
- Product Name.**
- Guarantee Number.**
- Date of Purchase.**
- Where Purchased.**
- Original Till Receipt.**
- Identification of the Affected Part(s) - Photographs preferable.**

Please do not send products or parts at this stage as this may not be necessary.

This Guarantee Number is:

Designed in the UK by **TP Activity Toys** (Tube Plastics Ltd), Severn Road, Stourport on Severn, Worcestershire, DY13 9EX, England.
Made in China.

Customer Service:
Email: customerservices@tptoys.com
Website: www.tptoys.com

Spare Parts +44 (0) 1299 872803
Technical Helpline +44 (0) 1299 872804



Instruction Part No: IN2195/10/08



Register your new Activo product on-line now at www.tptoys.com/productregistration

- For a chance to win £200 of TP products in our next quarterly on-line product registration draw.
- Immediate access to TP products updates and offers.

Full terms and conditions overleaf

This Guarantee Number is:





TP162/TP163 10ft/12ft Trampoline Surround

INSTRUCTIONS FOR ASSEMBLY MAINTENANCE AND USE



Warning!

Important!
These instructions must be followed for safe assembly and use. Please retain for future reference.

Important!
Vous devez suivre ces instructions pour que le montage et l'utilisation se fassent en toute sécurité. Veuillez conserver pour référence ultérieure.

Importante!
Per garantire sicurezza di montaggio ed uso, seguire queste istruzioni e conservarle per futuro riferimento.

Importante!
Debe seguirse estas instrucciones para un armado y uso seguros. Sírvase conservarlas para consultarlas en el futuro.

Wichtig!
Diese Anweisung ist für sicheren Aufbau und Gebrauch zu befolgen. Für künftigen Gebrauch aufbewahren.

Importante!
Para assegurar uma montagem e uma utilização seguras, têm de ser seguidas estas instruções. Guardar para referência futura.

Warning!

Important!

6 yrs+



GB

IMPORTANT, BEFORE YOU BEGIN, READ THIS MANUAL

Thank you for buying this Trampoline. The trampoline is designed and manufactured to provide you and your family with many years of fun and exercise but, **for your benefit and safety, please read this manual carefully and in full before assembling and using your trampoline.** Then, please retain this manual for future reference.



! WARNING !

Do not land on head or neck. Paralysis or death can result even if you land in the middle of the trampoline mat (bed).

To reduce the chance of landing on your head or neck, do not do somersaults (flips).



Only one person at a time on the trampoline.
Multiple jumpers increase the chances of loss of control, collision, and falling off.

This can result in broken head, neck, back, or leg.

! REMEMBER !

Trampolines are **rebounding** devices which **propel** the user to **unaccustomed** heights, and into a variety of body movements. Rebounding off of the trampoline, striking the frame or springs, or improperly landing on the trampoline mat (bed) may cause injury.

Misuse and abuse of this trampoline is dangerous and can cause serious injuries.

Inspect the trampoline before each use, and replace any worn, defective or missing parts.

All purchasers and all persons using the trampoline must become **familiar** with the manufacturer's recommendations for the proper assembly, use and care of the trampoline. Each user must also be alert to his or her own limitations in the execution of trampoline skills. **Assembly instructions, selected precautions, recommended instructional techniques and progressions, and suggestions for the care and maintenance of the trampoline are included in this user's manual to promote safe, enjoyable use of this equipment. Please read these in full.**

It is the **responsibility** of the owner or trampoline supervisor to **ensure** that all users of this trampoline are adequately informed of all warnings and safety instructions. **Remember using this trampoline exposes you to the risk of serious injury, including permanent paralysis or even death from landing on the neck or head. The risk exists even if you land on the trampoline mat.**

INSTRUCTIONS FOR ASSEMBLY, MAINTENANCE AND USE OF TP BOUNCE SURROUND

Please read carefully and keep for future reference.

ASSEMBLY AND SITING

Assembly Information – This Bounce Surround must be assembled by an adult, exactly in accordance with the assembly instructions. Enlisting the aid of a helper will make the assembly easier. This pack contains small parts and is not suitable for children under 36 months. Please take an inventory of all parts before assembly. Should there be any missing parts, the equipment must not be used until replacement parts have been fitted – the TP Customer service line is 01299 872804.

Siting – Your trampoline must be placed on a flat and level surface which is well lit. Under no circumstances should it be positioned on a hard surface such as concrete or asphalt, unless the ground under the trampoline and an additional freespace of 6ft (2 metres) all around is covered with a safety surface. Examples of suitable surfaces are grass, sand or a play surface intended for this use. There must be a minimum of 24ft (7.3 metres) of clear, open space above the trampoline. It is important not to place or store anything under your trampoline. PLEASE ALSO READ THE INSTRUCTIONS WHICH ACCOMPANIED YOUR TRAMPOLINE.

USE SAFELY

This Bounce Surround is designed and made for family outdoor domestic use only by people 3 years and older. IT IS NOT A REBOUNTING DEVICE. It is designed as an surround to (1) control entry and exit to and from the trampoline and (2) allow jumpers to gain confidence, balance, coordination and agility without the fear of rebounding off the trampoline.

Adult supervision of children – Children should always be supervised while they are playing on the trampoline fitted with a Bounce Surround and should be instructed not to use it in an inappropriate or hazardous manner. In particular be aware of:

- The objects children bring into the surround
- Children's activities inside the surround
- Conditions inside the surround when children are using it
- The way children get into and out of the surround

Children should not wear cycle helmets while playing on the trampoline.

The frame of your trampoline is made of steel and it will conduct electricity. No electrical equipment (lights, heaters, extension cords, household appliances, etc.) should be permitted in or on the surround under any circumstances to avoid the risk of electrocution.

Never allow more than one person to use the trampoline at a time notwithstanding that the Bounce Surround is in place. Multiple users may collide with or destabilise each other and this can result in serious injury.

As your trampoline mat (bed) is raised off the ground, there is the risk of a fall when exiting the trampoline through the door of the Bounce Surround. Young children should be assisted to reduce their risk of falling.

ONLY THE DOOR OF THE BOUNCE SURROUND SHOULD BE USED TO ENTER OR EXIT THE SURROUND.

Weather conditions – Special care should be taken as weather conditions change. In particular, surfaces can become slippery in wet weather and tongues and lips can stick to metalwork at subzero temperatures. In warmer and sunnier weather, parts can become hot, and temperature should regularly checked during use, especially metal parts.

CARE AND MAINTENANCE

With all TP products it is vital that the equipment is checked regularly and often by an adult. The complete product should be checked at least once a month, and particular attention should be paid to connections and fastenings. If any parts exhibit signs of wear and tear, they may need to be replaced. Failure to do this may result in the product malfunctioning and causing injury.

The product must not be used until properly and fully installed and checked. Galvanised tubular products may require occasional maintenance. If surface rust appears it should be removed with either a wire brush or coarse sandpaper, and the area treated with non-toxic paint.

To avoid damage to the Bounce Surround, do not allow pets or other animals inside the surround. Their claws and teeth can damage the netting (and the trampoline mat).

Make sure that no bonfires are lit close enough to threaten your trampoline and Bounce Surround. In windy conditions, sparks and embers can travel significant distances and burn holes in both the surround netting and the trampoline mat.

Any large trampoline, with or without an surround system, can be blown around in high winds and cause injury or damage. We recommend that the Bounce Surround should be removed under these conditions and stored in a dry condition. IT IS NOT NECESSARY TO DISASSEMBLE THE TRAMPOLINE BUT PLEASE REFER TO YOUR TRAMPOLINE INSTRUCTIONS FOR INFORMATION ABOUT SECURING IT TO THE GROUND. An Anchor Down Kit is available from TP.

1

Contents - Please check

Contenu - Veuillez Vérifier

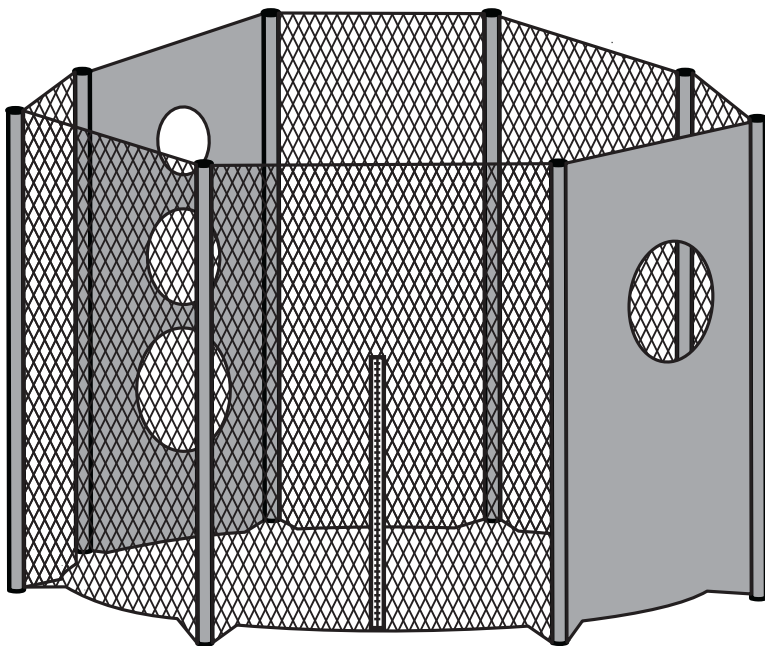
Siete Pregati di Controllare il Contenuto

Verifique El Contenido

Inhalt - Bitte Überprüfen

Conteúdo - Verifique

- 1 10ft FC3060
- 1 12ft FC4105



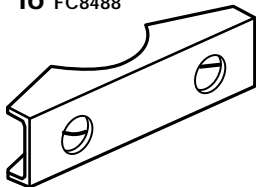
8
Top Upright Tube (FC8485)
with Foam Cover (FC8486)



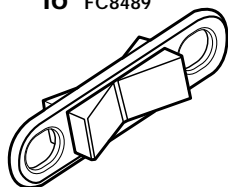
8
Bottom
Upright Tube
(FC8476)



16 FC8488



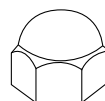
16 FC8489



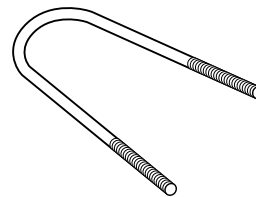
8 Cap
(FC8515)



32 TP8163

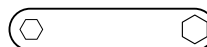


16 FC8487



Tools included

You will need:
Vous aurez besoin de:
Avrete bisngno:
Precisarà:
Sie brauchen:
Necessitará de:

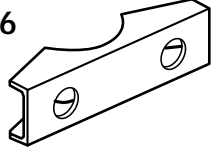


13mm
TP8162

ASSEMBLING YOUR TRAMPOLINE SURROUND

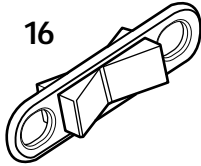
2

16

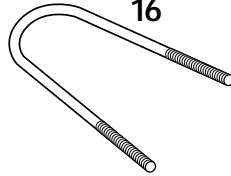


x8

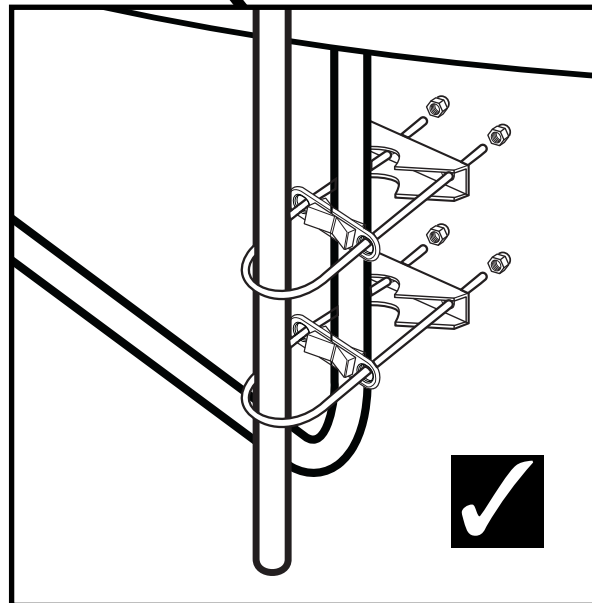
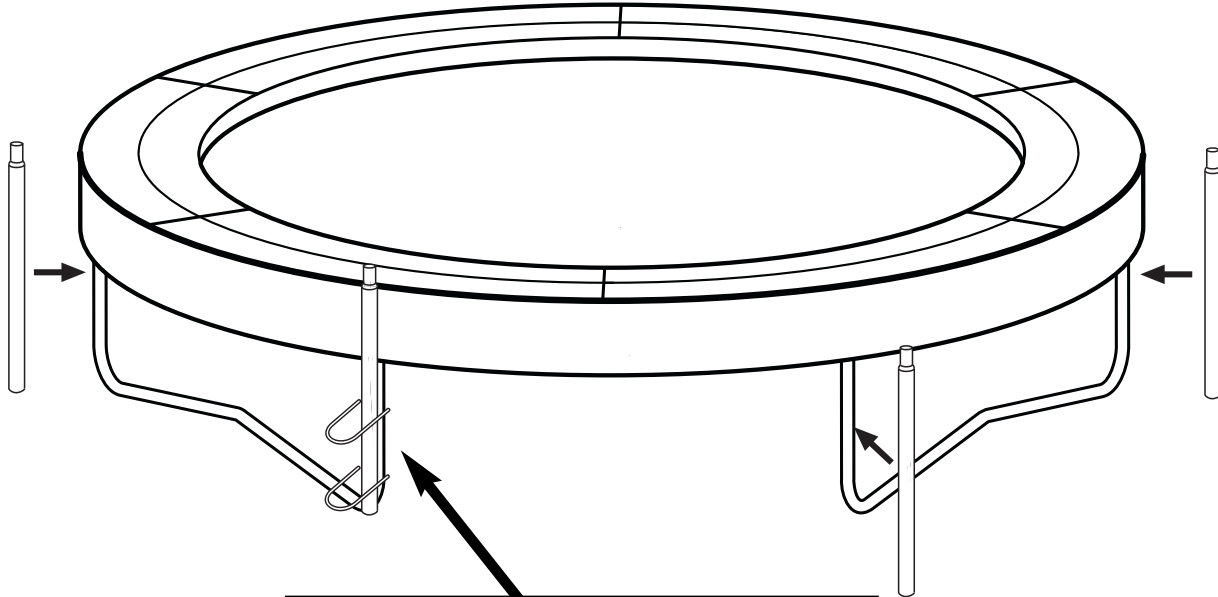
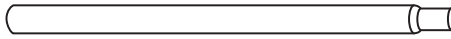
16



16



32



CHECK ALL BOLTS ARE FULLY TIGHTENED

Assurez-vous que les écrous et les boulons sont serrés au maximum.

Controllare che tutti i dadi e i bulloni siano ben serrati.

Compruebe que todas las tuercas y tornillos estén ajustados completamente.

Prüfen Sie, dass alle Muttern und Bolzen fest angezogen sind.

3

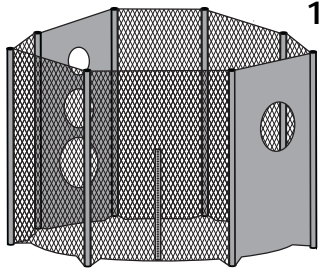
x8



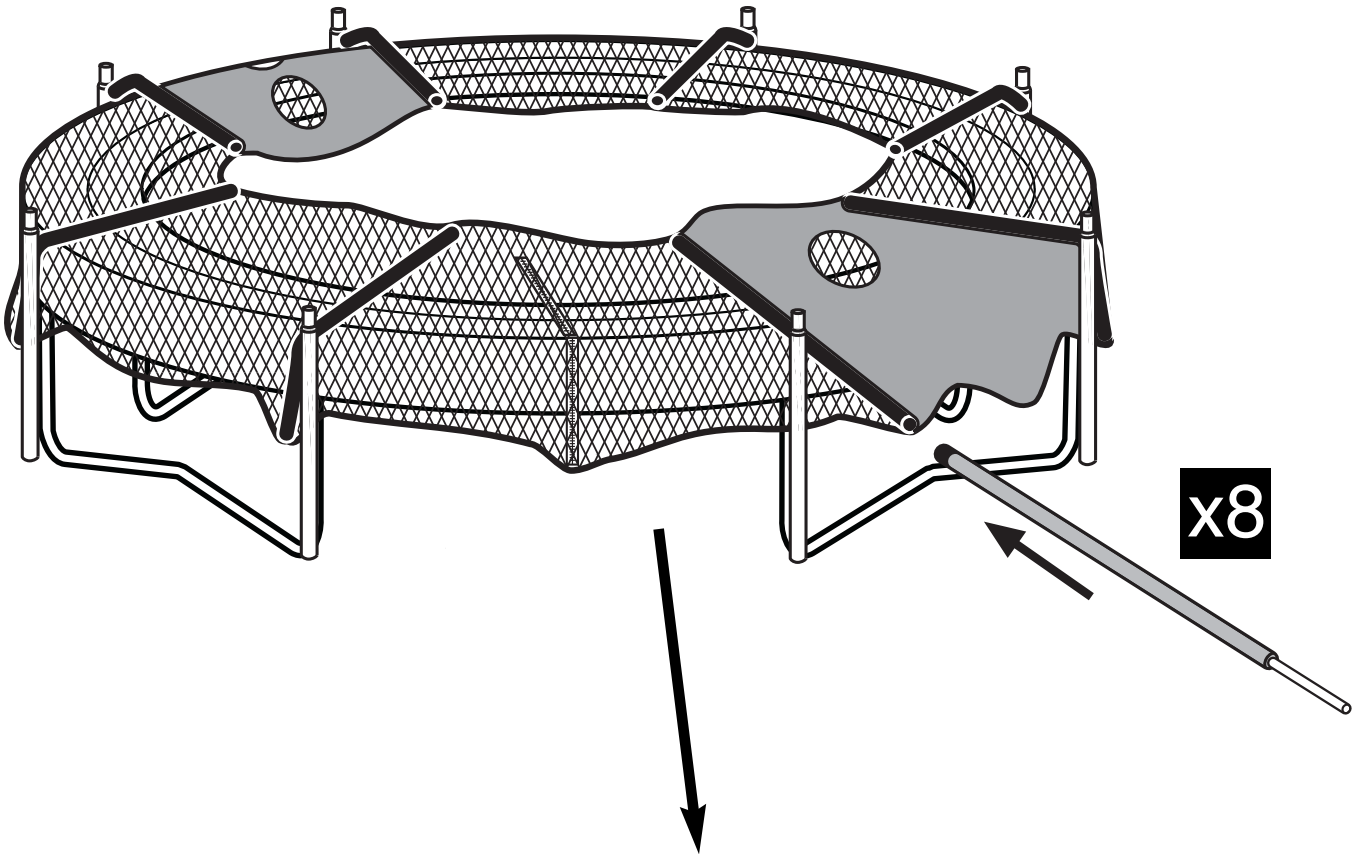
x8



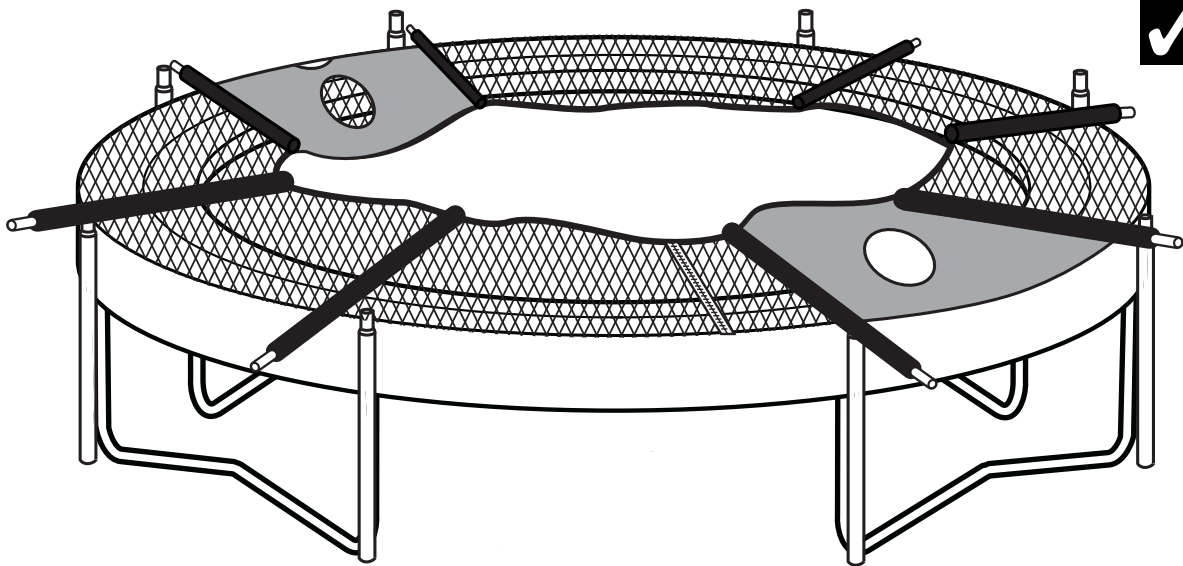
4



x8

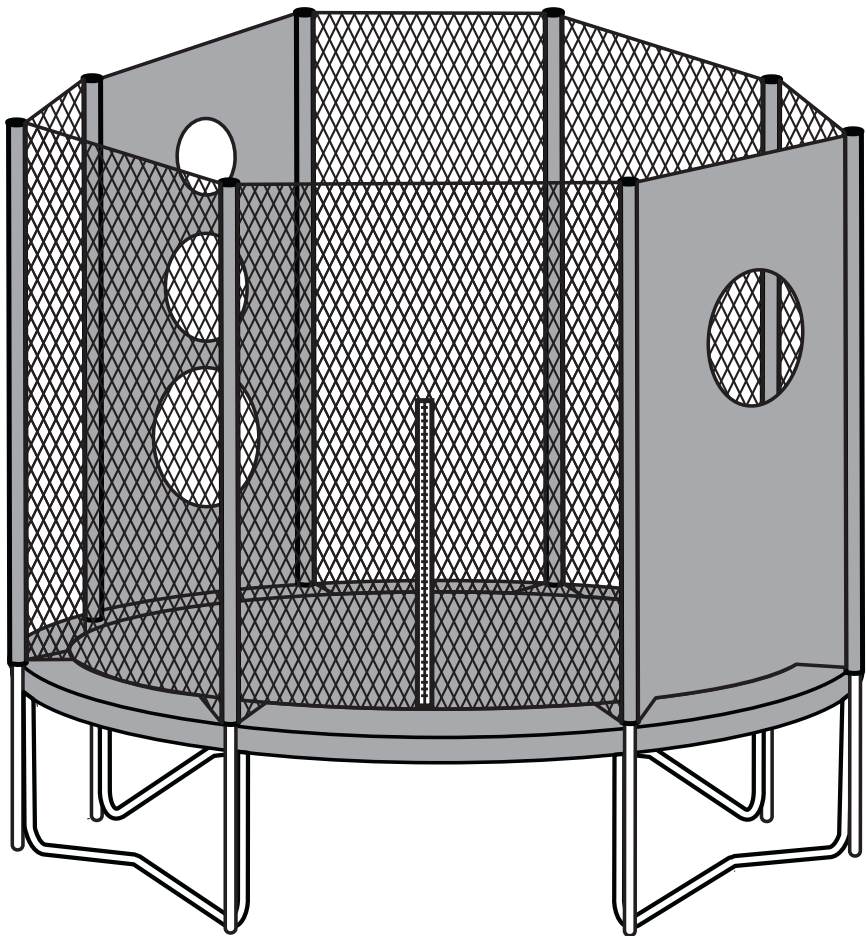
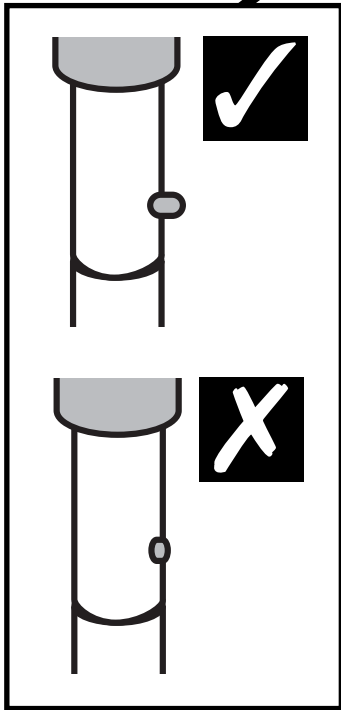
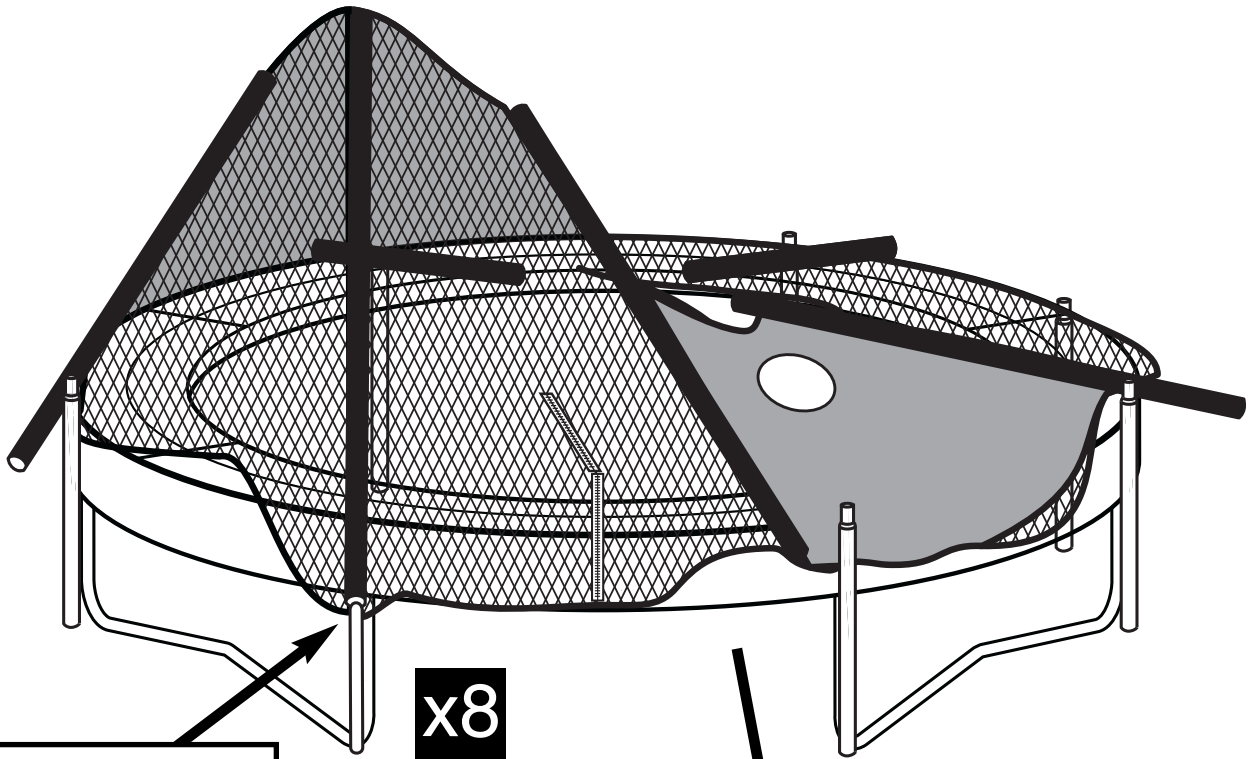


x8

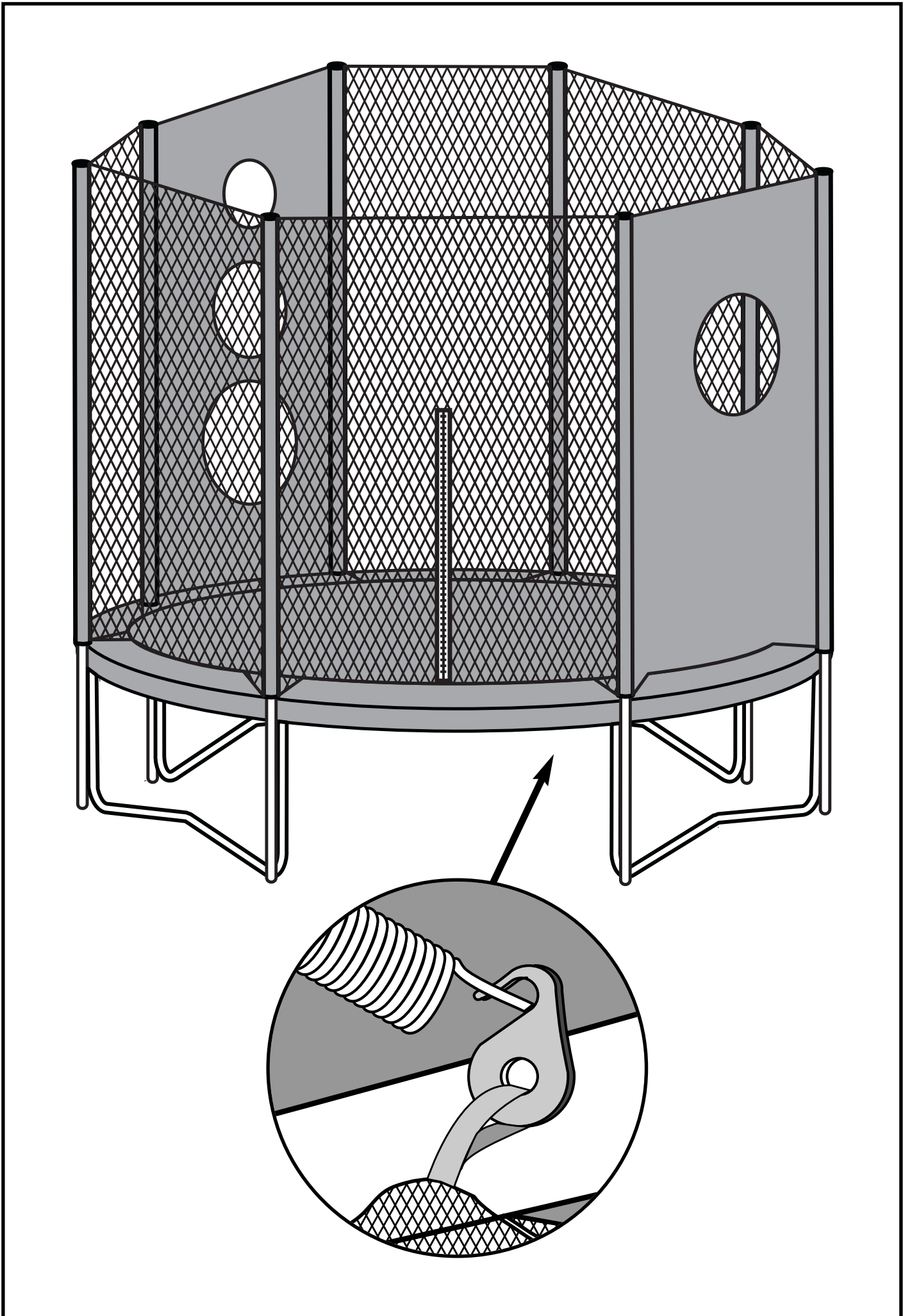


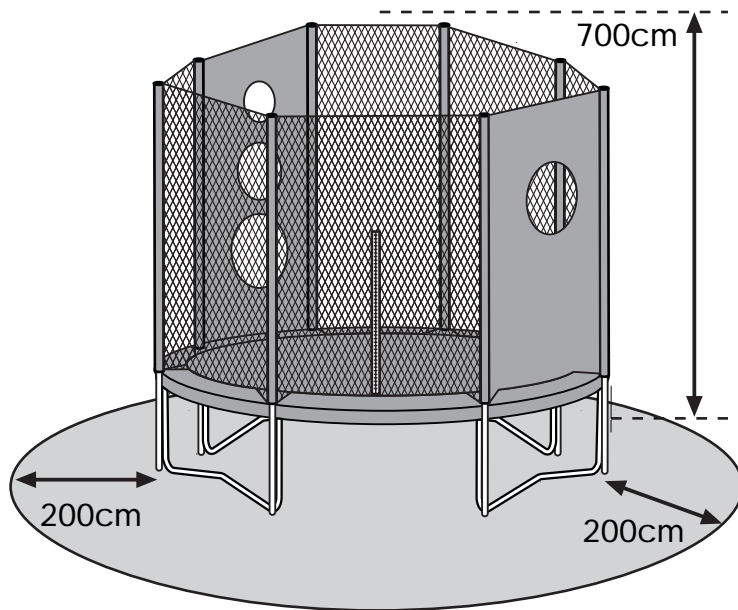
6

5



7





Recommended safe play area:

Aire de sécurité recommandée:

Area di gioco sicura raccomandata:

Área Segura de Juego recomendada:

Empfohlene sichere Spielfläche:

Área de Actividades Segura Recomendada

Recommended Free Space:

The Safe Play Area refers to the zone extending 200cm (2 metres) beyond the toy on all sides and 700cm (7 metres) above the toy. The Safe Play Area must be free from all structures, landscaping, trees and branches, rocks, wires, sprinkler heads and other similar obstacles to safe play. Children can be seriously injured running or colliding into such obstacles.

Aire de sécurité recommandée:

L'aire de sécurité se réfère à la zone située dans un rayon de 2 m tout autour du jeu, y compris l'espace situé au-dessus de ce dernier. L'ajout d'accessoires est susceptible d'étendre cette aire de sécurité. La surface au sol doit être bien plane. Installé sur un terrain en pente, ce jeu pourra pencher ou s'endommager. Les composants seront alors soumis à des tensions plus importantes, ce qui risque de diminuer leur durée de vie. L'aire de sécurité ne doit pas comporter de structures, aménagements paysagers, arbres et branches, pierres, câbles, têtes d'arrosage ou autres obstacles susceptibles d'empêcher les enfants de jouer en toute sécurité. Les enfants pourraient heurter ces obstacles en courant ou en se balançant et ainsi se blesser grièvement.

Area di gioco sicura raccomandata:

L'Area di giuoco sicura si riferisce alla zona che si estende per 2 m su tutti i lati oltre l'insieme da gioco, incluso lo spazio al di sopra dell'apparato. Gli accessori aggiuntivi possono estendere le dimensioni dell'Area di gioco sicura. La superficie del terreno deve essere in pari. Installando l'insieme da gioco sul terreno in pendenza, può inclinarsi o 'stirarsi'. Ciò sottoporrebbe tutti i componenti a sforzo addizionale, e potrebbe comprometterne la durata. L'Area di gioco sicura deve essere libera da strutture, variazioni del terreno, alberi e rami, pietre, fili metallici, testine per annaffiare e tutto quanto esporrebbe a rischio la sicurezza del gioco. Correndo contro questi ostacoli, o urtandovi durante l'oscillazione, i bambini potrebbero ferirsi seriamente.

Área Segura de Juego recomendada:

El Área Segura de Juego se refiere a la zona que se extiende hasta 2m desde los juegos todo alrededor, incluyendo el espacio encima del aparato. Accesorios adicionales pueden aumentar el tamaño del Área Segura de Juego. La superficie del suelo debe ser uniforme. Si instala sus juegos sobre un terreno con declive, har- que se inclinen o se "arruinen". Esto coloca tensión adicional sobre todos los componentes y puede acortar su vida útil. El Área Segura de Juego debe estar libre de todo tipo de estructuras, arquitectura paisajista, árboles y ramas, rocas, cables, boquillas de aspersores y cualquier otro elemento que pueda obstaculizar el juego seguro.

Los niños pueden herirse gravemente con estos obst-culos al correr o columpiarse.

Empfohlene sichere Spielfläche:

Die sichere Spielfläche erstreckt sich an allen Seiten 2 m über das Spielgerät hinaus, einschließlic Raum über dem Gerät. Zubehör kann die sichere Spielfläche erweitern. Der Boden muss eben sein. Wenn Sie das Spielgerät auf einem Hang installieren, kann es sich lehnen oder verziehen. Dadurch werden alle Teile zusätzlicher Last ausgesetzt, was zu verkürzter Lebensdauer führen kann. Im sicheren Spielraum darf sich nichts befinden, das sicheres Spielen behindern könnte wie z.B. Aufbauten, Gärten, Bäume oder Büsche, Steine, Draht, Rasensprinkler oder ähnliches. Wenn Kinder in solche Hindernisse hineinlaufen oder -schaukeln, können sie sich schwer verletzen.

Área de Actividades Segura Recomendada:

A Área de Actividades Segura Recomendada refere-se à zona que se estende por 2 m em todas as direcções à volta dos elementos de diversão, incluindo o espaço acima dos mesmos. Para que a Área de Actividades seja segura, não deverá haver outras estruturas, áreas ajardinadas, árvores e ramos, rochas, fios, aspersores ou outros obstáculos semelhantes à superfície. As crianças poderão sofrer graves ferimentos pessoais se, ao correrem ou baloiçarem, caírem de encontro a estes elementos.



Register your new TP product on-line now at www.tptoys.com/productregistration

For a chance to win £200 of TP products in our next quarterly on-line guarantee registration draw. Immediate access to TP products updates and offers.

TERMS AND CONDITIONS

Each quarter one prize of £200 worth of TP products will be won. Your on-line purchase registration will be entered in the next available quarterly draw only. Postal registrations will not be included. No cash alternative is available in any circumstances.

Open to all TP purchasers who are aged over 18 years who register their new TP product on-line except employees of TP Activity Toys. The winners will be notified in writing within four weeks of the draw. No correspondence will be entered into. A list of winners is available on request 6 weeks after every draw by contacting TP at the address given below. TP Activity Toys reserve the right to alter, amend, or otherwise change the terms of the Prize Draws in the interest of the consumer without prior notification. This promotion is being run by TP Activity Toys (Tube Plastics Ltd), Severn Road, Stourport on Severn, Worcestershire DY13 9EX

Alternatively, complete the form opposite and place in an envelope addressed to TP Activity Toys, Severn Road, Stourport on Severn, DY13 9EX England. Please remember a stamp. Remember however, that you must register on-line to enter our prize draw.

Data Protection

TP will not pass your personal information to anyone else. If you would like to receive information on TP please tick the appropriate box.

- by email
- by post

Product Registration Form

Mr. Mrs Miss Ms

First name:..... Surname:

E-mail:

Address:

..... Postcode:

Tel:

Product(s) purchased..... TP Product no. No of children:

..... TP Dates of birth:

..... TP

..... TP

..... TP

..... TP

Name of retailer:..... Date of Purchase:

